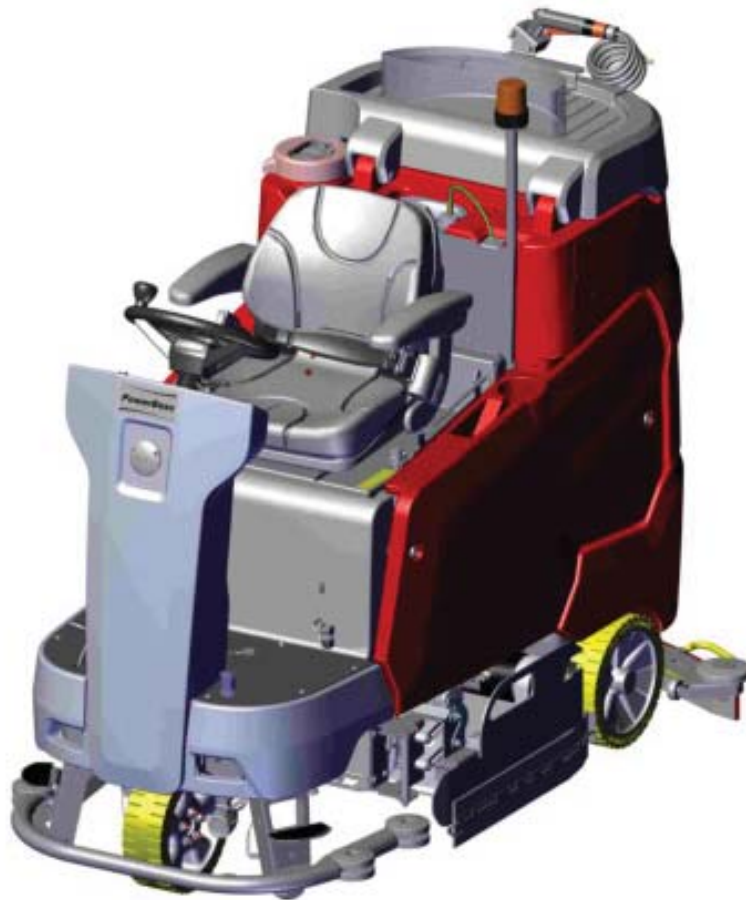


# Parts Catalog SM3346C Cylindrical Rider Scrubber



**PREFACE**

Thank you for your purchase of the new industry standard for scrubbers. PowerBoss® takes great pride in offering the most dependable, reliable and best value in industrial power scrubbers and sweepers. We set the standard.

Our Customer Service Department would like to hear from you. If you see any errors, omissions or something that needs clarification in this Parts Catalog please let us know. We are working hard towards continually improving our processes to bring you the best you deserve. Please copy the form below, fill out and comment on how you found our catalog.

Thank you!  
*The PowerBoss Team*

Name: \_\_\_\_\_

Title: \_\_\_\_\_

Company Name: \_\_\_\_\_

Address: \_\_\_\_\_

Country: \_\_\_\_\_

Type of equipment or model number: \_\_\_\_\_

Comments: \_\_\_\_\_

\_\_\_\_\_

\_\_\_\_\_

\_\_\_\_\_

Please return to:  
Customer Service Manager  
PowerBoss®, Minuteman International, Inc.  
14N845 U.S. Route 20  
Pingree Grove, Illinois 60140 USA

Phone: (800) 323-9420  
Email: tech@powerboss.com

This is the Parts Catalog for the PowerBoss® B175R Cylindrical Rider Scrubber machine.

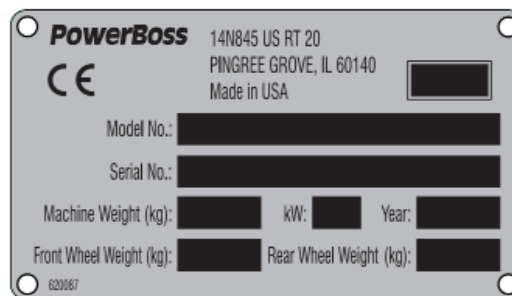
We believe this machine will provide excellent service for many years. Best results will be obtained if:

- The machine is operated with reasonable care.
- The machine is maintained regularly per the maintenance schedule provided in the User Manual.
- The machine is maintained with PowerBoss® supplied or equivalent parts.

All right side and left side references to the machine (except for engine) are determined by facing the direction of forward travel. The front of the engine or engine fan faces the front of the machine. Some hardware considered to be common or locally available has been omitted from the parts section to make this manual clear. Be sure to use equivalent hardware when replacement becomes necessary.

The Model and Serial Number of your machine is shown on the I.D. name plate. This information is needed when contacting Technical Support or when ordering parts. The I.D. plate is mounted on the left side wall of the operator seating area.

**Example I.D Plate:**



Parts may be ordered by phone, fax or e-mail from any PowerBoss® parts and service center. Before ordering parts or supplies, be sure to have your machine model number and serial number handy. For your convenience Fill out the data block below for future reference.

|   |       |
|---|-------|
| <b>MACHINE DATA</b><br>Fill out at installation |       |
| Serial Number:                                  | _____ |
| Engine Serial Number:                           | _____ |
| Sales Rep.:                                     | _____ |
| Date of Install:                                | _____ |

All information contained in this catalog is current at the time of printing. Minuteman International, Inc. reserves the right to make changes at any time without notice.

PowerBoss®, Minuteman International, Inc., Copyright 2021, Printed in USA

## TECHNICAL SPECIFICATIONS

Model: B175R Cylindrical Rider Scrubber

Model No.: SM3346C, SM3346CQP

### Dimensions

|   |      | Standard drive |           |          | X-AC drive |
|---|------|----------------|-----------|----------|------------|
| Name  | Unit | TB 900         | TB 1080   | WB 850   | TB 900     |
| Length of machine with squeegee without/with pre-sweep unit | mm   | 1890/2670      | 1890/2670 | 1890     | 1890/2670  |
| Width of machine without/with squeegee                      | mm   | 940/1130       | 1120/1290 | 940/1130 | 940/1130   |
| Height of machine without/with overhead guard               | mm   | 1450/2080      |           |          |            |

### Working width

|            |    |      |      |      |      |
|------------|----|------|------|------|------|
| Brush unit | mm | 900  | 1080 | 850  | 900  |
| Squeegee   | mm | 1100 | 1260 | 1100 | 1100 |

### Weights

|                                   |    |      |      |      |      |
|-----------------------------------|----|------|------|------|------|
| Weight (empty, without batteries) | kg | 450  | 455  | 440  | 480  |
| Total weight (ready for use)      | kg | 1010 | 1015 | 1100 | 1040 |
| Permissible total weight          | kg | 1310 |      |      |      |

### Driving performance

|  |      |            |      |      |                          |
|--|------|------------|------|------|--------------------------|
| Driving speed transportation (forwards/reverse)                  | km/h | 8/4        |      |      |                          |
| Climbing capacity when cleaning                                  | %    | 6 (2 min)  |      |      | 15 (up to 5 min/ 4 km/h) |
| Climbing capacity during transport journey (ready for operation) | %    | 10 (1 min) |      |      | 18 (3 min/ 4 km/h)       |
| Ramp angle/Slope angle   | %    | 16         |      |      |                          |
| Turning circle (with squeegee)                                   | mm   | 2960       | 2970 | 2960 | 2960                     |

### Wheels

|  |                   | Standard drive |         |        | X-AC drive |
|--|-------------------|----------------|---------|--------|------------|
| Name                                       | Unit              | TB 900         | TB 1080 | WB 850 | TB 900     |
| Wheel diameter                             | mm                | 305            |         |        |            |
| Specific wheel contact pressure front/rear | N/mm <sup>2</sup> | 0.66/0.65      |         |        |            |

### Tank contents

|                  |       |     |
|------------------|-------|-----|
| Solution tank    | Litre | 175 |
| Waste water tank | Litre | 175 |

### Brush head

|                          |     |       |       |       |       |
|--------------------------|-----|-------|-------|-------|-------|
| Brush speed              | rpm | 210   | 210   | 850   | 210   |
| Min./Max. brush pressure | kg  | 35/70 | 38/70 | 29/38 | 35/70 |

### Vacuum system

|                                  |                   |            |     |         |         |
|----------------------------------|-------------------|------------|-----|---------|---------|
| Air quantity 1/2 suction turbine | m <sup>3</sup> /h | 100/200    | 200 | 100/200 | 100/200 |
| Vacuum (maximum)                 | mbar              | approx. 50 |     |         |         |

### Electrical system

|   |   |            |       |               |          |
|---|---|------------|-------|---------------|----------|
| Nominal voltage   | V | 36         |       |               |          |
| Nominal output (max.) (P1)                                    | W | 7470       |       |               |          |
| Power consumption drive motor (P1) S2-120 min                 | W | 2335       |       |               | 3365     |
| Power consumption of vacuum motor (P1) 1/2 suction turbine    | W | 641/1282   | 1282  | 641/1282      | 641/1282 |
| Power consumption of brush motor (P1) with/without side brush | W | 2x936      | 2x936 | 2x918 + 2x115 | 2x936    |
| Power consumption water pump (P1)                             | W | approx. 67 |       |               |          |
| Type of protection  |   | IPX 3      |       |               |          |
| Protection class  |   | III        |       |               |          |

### On-board charger

|                            |      | Standard drive |         |        | X-AC drive |
|----------------------------|------|----------------|---------|--------|------------|
| Name                       | Unit | TB 900         | TB 1080 | WB 850 | TB 900     |
| Rated input/output voltage | V    | 230/36         |         |        |            |
| Nominal output             | W    | 1600           |         |        |            |
| Type of protection         |      | IPX 3/P20      |         |        |            |
| Protection class           |      | I              |         |        |            |

### Pre-sweep suction unit

| Name                                    | Unit              |       |
|---|-------------------|-------|
| Machine length                          | mm                | 800   |
| Height of machine                       | mm                | 660   |
| Machine width (above swivel bracket)    | mm                | 1220  |
| Working width                           | mm                | 1300  |
| Cylindrical brush width                 | mm                | 670   |
| Cylindrical brush, minimum diameter     | mm                | 200   |
| Cylindrical brush speed                 | rpm               | 500   |
| Sweeping level width                    | mm                | 45±10 |
| Side brush diameter                     | mm                | 400   |
| Side brush speed                        | rpm               | 92    |
| Theoretical sweeping capacity           | m <sup>2</sup> /h | 10400 |
| Dirt hopper volume (maximum load 20 kg) | Litres            | 16    |
| Filter area                             | m <sup>2</sup>    | 1.4   |
| Filter use category ZH 1/487            | KAT               | U     |
| Drive motor (P1)                        | W                 | 756   |
| Nominal voltage                         | V                 | 36    |
| Permissible total weight                | kg                | 115   |

**Noise emission value**

|  |        | B175 R WZB         |                  | B175 R TB          |                  |
|--|--------|--------------------|------------------|--------------------|------------------|
|  |        | Standard operation | Silent operation | Standard operation | Silent operation |
| The sound power level ( $L_{wAd}$ ) measured under the customary conditions of use according to DIN EN 60335-2-72 is:                              | dB (A) | 85                 | 80               | 85                 | 80               |
| The sound pressure level ( $L_{pA}$ ) (at the ear of the driver) measured under the customary conditions of use according to DIN EN 60335-2-72 is: | dB (A) | 68                 | 64               | 68                 | 64               |
| Measuring uncertainty ( $K_{pA}$ )   | dB (A) | 1.4                | 1.5              | 1.6                | 1.3              |

**Vibration**

|   |                  |       |
|---|------------------|-------|
| Under the customary conditions of use, the weighted effective value of the acceleration to which the upper limbs (hand-arm) are subjected to according to DIN EN ISO 5349 is: | m/s <sup>2</sup> | ≤ 2.5 |
| Under the customary conditions of use, the weighted effective value of the acceleration to which the body (feet or seat surface) is subjected to DIN EN ISO 2631-1 is:        | m/s <sup>2</sup> | ≤ 0,5 |

## Scrub Master Battery and Charger Chart

### SCRUB MASTER BATTERY AND CHARGER CHART

| MODEL        | DESCRIPTION                             | BATTERY | QTY | CHARGER  | QTY |
|--------------|---|---------|-----|----------|-----|
| SM3546DQP    | SCRUB MASTER 46 BASE, 35" DISC          | 956724  | 6   | 957750-1 | 1   |
| SM4246DQP    | SCRUB MASTER 46 BASE, 42" DISC          | 956724  | 6   | 957750-1 | 1   |
| SM3346CQP    | SCRUB MASTER 46 BASE, 33" CYL           | 956724  | 6   | 957750-1 | 1   |
| SM3346CSBQP  | SCRUB MASTER 46 BASE, 33" CYL W/SB      | 956724  | 6   | 957750-1 | 1   |
| SM3032DQP    | SCRUB MASTER 32 BASE, 30" DISC          | 956724  | 4   | 957756   | 1   |
| SM3532DQP    | SCRUB MASTER 32 BASE, 35" DISC          | 956724  | 4   | 957756   | 1   |
| SM2832CQP    | SCRUB MASTER 32 BASE, 28" CYLINDRICAL   | 956724  | 4   | 957756   | 1   |
| SM3332CQP    | SCRUB MASTER 32 BASE, 33" CYLINDRICAL   | 956724  | 4   | 957756   | 1   |
| SM3546DQPG   | SCRUB MASTER 46 BASE, 35" DISC, AGM     | 956745  | 6   | 957750-2 | 1   |
| SM4246DQPG   | SCRUB MASTER 46 BASE, 42" DISC, AGM     | 956745  | 6   | 957750-2 | 1   |
| SM3346CQPG   | SCRUB MASTER 46 BASE, 33" CYL, AGM      | 956745  | 6   | 957750-2 | 1   |
| SM3346CSBQPG | SCRUB MASTER 46 BASE, 33" CYL W/SB, AGM | 956745  | 6   | 957750-2 | 1   |
| SM3032DQPG   | SCRUB MASTER 32 BASE, 30" DISC, AGM     | 956745  | 4   | 957756-1 | 1   |
| SM3532DQPG   | SCRUB MASTER 32 BASE, 35" DISC, AGM     | 956745  | 4   | 957756-1 | 1   |
| SM2832CQPG   | SCRUB MASTER 32 BASE, 28" CYL, AGM      | 956745  | 4   | 957756-1 | 1   |
| SM3332CQPG   | SCRUB MASTER 32 BASE, 33" CYL, AGM      | 956745  | 4   | 957756-1 | 1   |





## TABLE OF CONTENTS

|  |           |
|--|-----------|
| <b>PREFACE</b> .....   | <b>2</b>  |
| <b>TECHNICAL SPECIFICATIONS</b> .....  | <b>4</b>  |
| <b>SCRUB MASTER BATTERY AND CHARGER CHART</b> .....                              | <b>8</b>  |
| <b>PARTS BREAKDOWN</b> .....   | <b>12</b> |
| CONTROL CONSOLE (97141402_27) .....  | 12        |
| DRIVE SENSOR (01378020) .....  | 14        |
| STEERING SYSTEM (97135206) .....   | 16        |
| CONTROL PANEL (97140412).....  | 17        |
| SEAT GROUP - SEAT VARIANTS (97145437) .....                                      | 18        |
| SEAT PLATE (97141394) .....  | 20        |
| OPERATION AREA - COVERING FOR ELECTRIC EQUIPMENT (97141386).....                 | 22        |
| CHASSIS (97140578_63) .....  | 24        |
| CHASSIS (97141253) .....   | 26        |
| FRONT BUMPER CYLINDRICAL BRUSH HEAD 850 (97144950).....                          | 28        |
| REAR AXLE, NOT DRIVEN (97141246) .....   | 29        |
| WITHOUT OPTION ONBOARD SOLUTION DOSAGE BUT WITH SPRAYING TOOLS (97140115-3)..... | 30        |
| PRELIMINARY PARTS FOR SPRAYING TOOLS ON WATER PLATE (97145486) .....             | 32        |
| TANK CONNECTION WATER SYSTEM (97138200).....                                     | 33        |
| PRELIMINARY PARTS FOR SPRAYING TOOLS (97142061) .....                            | 34        |
| ELECTRIC EQUIPMENT (97141840_36) .....   | 35        |
| BASE ELECTRIC PLATE (97141907).....  | 36        |
| ELECTRIC PLATE WITHOUT ONBOARD CHARGER (97159404) .....                          | 38        |
| ELECTRIC PLATE WITHOUT 4-WHEEL DRIVE (97141873) .....                            | 39        |
| TANK GROUP WITHOUT TANKS (97162747) .....  | 40        |
| FOUL WATER TANK RED (97162721-97162739_PB_1) .....                               | 42        |
| COVER (97138275-B_27).....   | 44        |
| CLAMPING PIECE (97146237) .....  | 45        |
| SOLUTION HOSE (01372360).....  | 46        |
| RECOVERY HOSE (01372410).....  | 47        |
| HEIGHT ADJUSTMENT (97149587) .....   | 48        |
| COVER'S PUT-UP HINGE (97159743) .....  | 49        |
| COVER'S PUT-UP HINGE (97139414) .....  | 50        |
| FOUL WATER TANK RED B175 (01377880) .....  | 52        |
| FOUL WATER TANK RED ANTIBACTERIAL B175 (01377970) .....                          | 53        |
| FRESH WATER TANK RED (97162721-97162739_2) .....                                 | 54        |
| FRESH WATER TANK RED (01374890).....   | 56        |
| FRESH WATER TANK RED ANTIBACTERIAL (01374930).....                               | 57        |
| FRESH WATER CAP (VARIANT WITHOUT AUTOMATIC FILLING UNIT) (97143937) .....        | 58        |
| COVER (VARIANT WITHOUT DRIVER CANOPY) (97140727) .....                           | 59        |
| SEALING PLUG (VARIANT WITHOUT SECOND SUCTION TURBINE) (97140537).....            | 60        |
| SIDE COVERING L.H. - SEPARATING PANEL (97140560) .....                           | 61        |
| SEPARATING PLATE (97145783) .....  | 62        |
| LIFTING CYLINDRICAL BRUSH HEAD (97144927).....                                   | 63        |

LIFTING (97138721) ..... 64

ROPE ASSEMBLY (97140479) ..... 66

PRELIMINARY PARTS FOR SPRAYING TOOLS AT TANK (97150296) ..... 67

ROUGH MUD STRAINER (97143929) ..... 68

CYLINDRICAL BRUSH HEAD 850 (97144182) ..... 69

RETAINER DIRT CONTAINER (97147946) ..... 70

DIRT CONTAINER (01273190) ..... 71

CYLINDRICAL BRUSH HEAD (97141709) ..... 72

CARRIER, CPL. (01072560) ..... 74

SIDE COVER, CPL. (01072550) ..... 75

SIDE WIPER CYLINDRICAL BRUSH HEAD 850 (97144158) ..... 76

SIDE WIPER R.H. AND L.H. (97144695-97144596) ..... 78

SPRAYING NOZZLE (97142384) ..... 80

RETAINER SPRAYING NOZZLE (97147334) ..... 81

LIFTING BRUSH AGGREGATES (97141675) ..... 82

ROCKER (97135271) ..... 84

SQUEEGEE LINKAGE GROUP (97139935) ..... 85

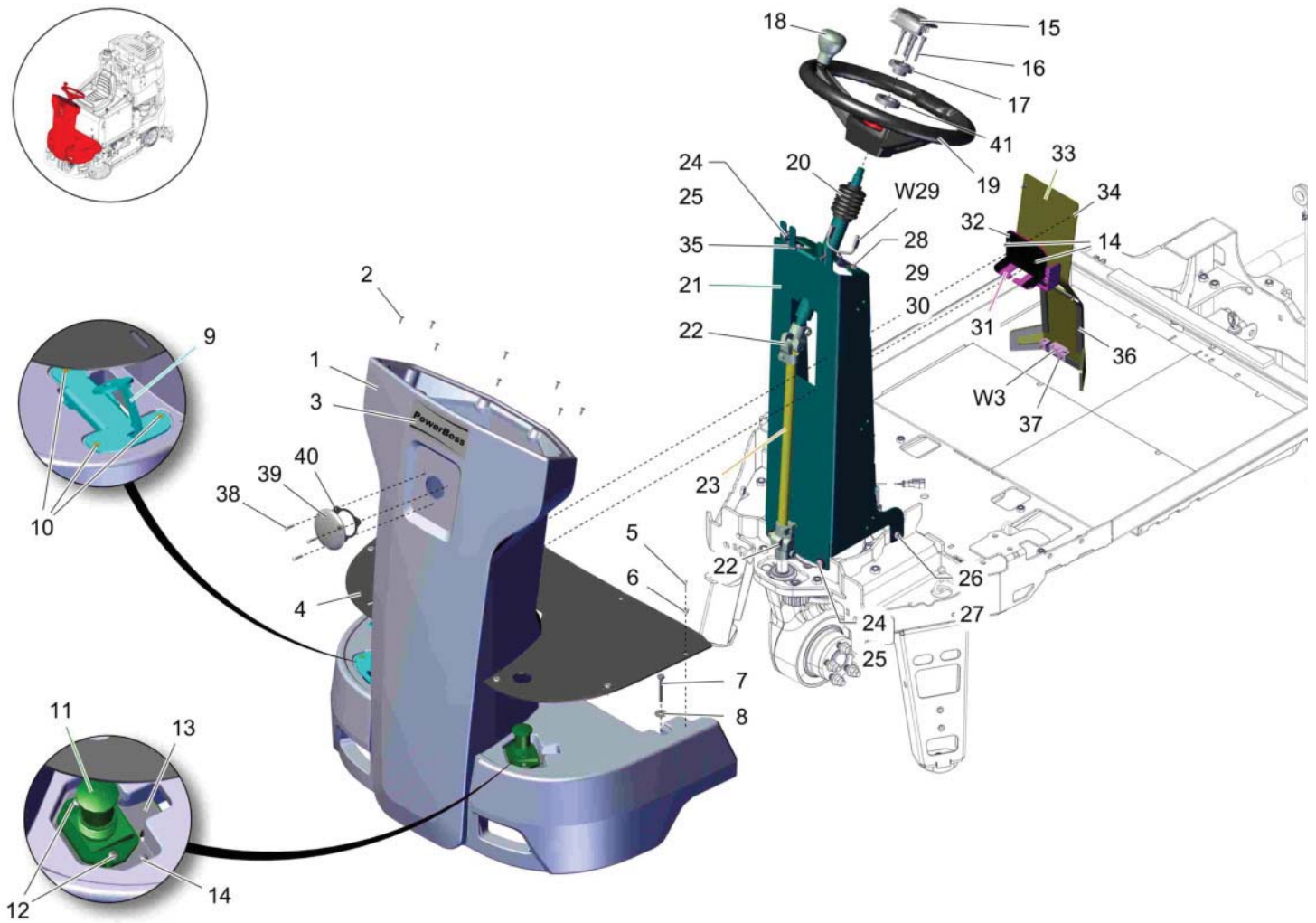
SQUEEGEE LINKAGE GROUP (03021740) ..... 86

LIFTING ELEMENT (97142525) ..... 88

SUCTION UNIT 1100MM, CPL. (01378910) ..... 90

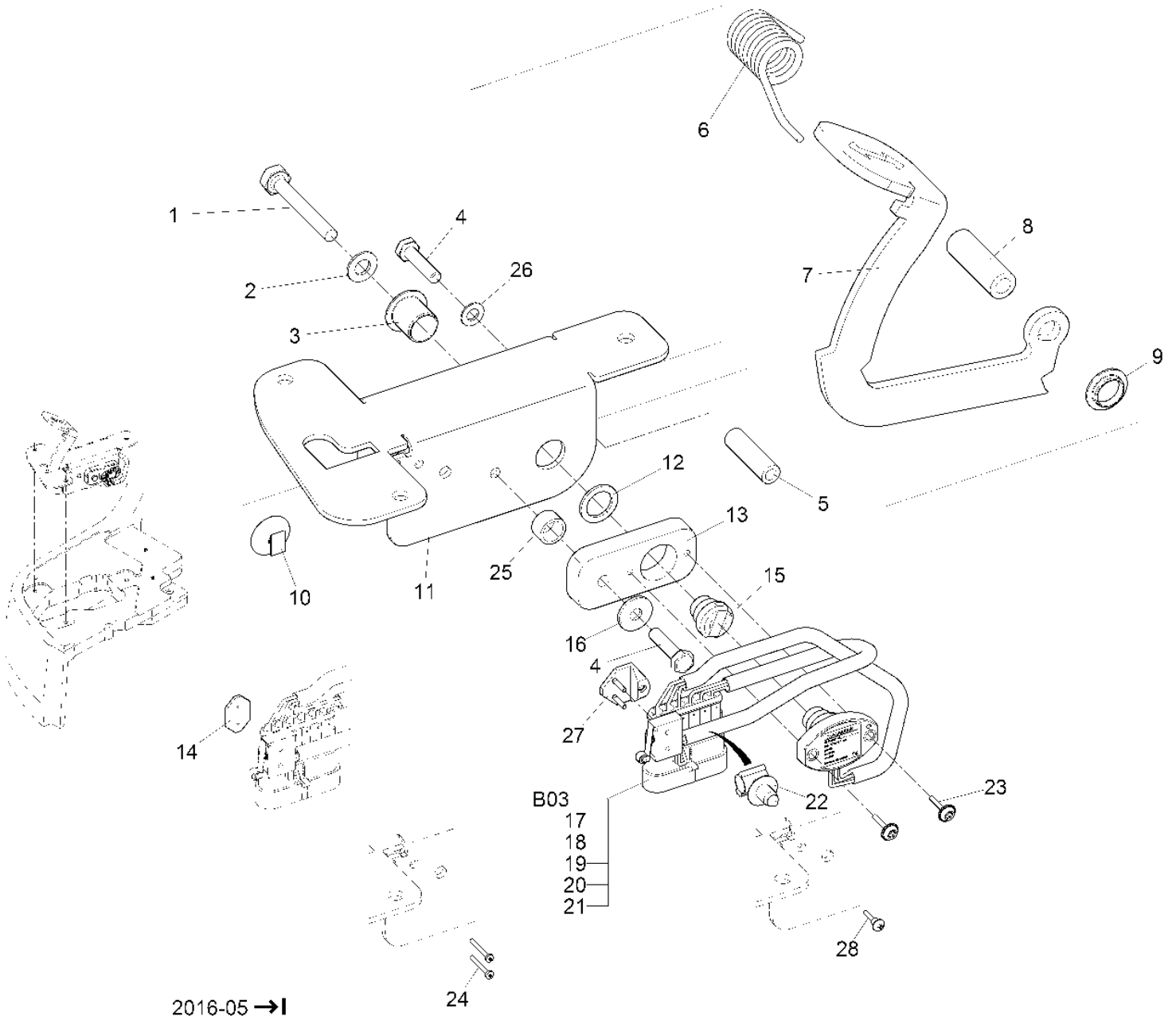
Parts Breakdown

Control Console (97141402\_27)



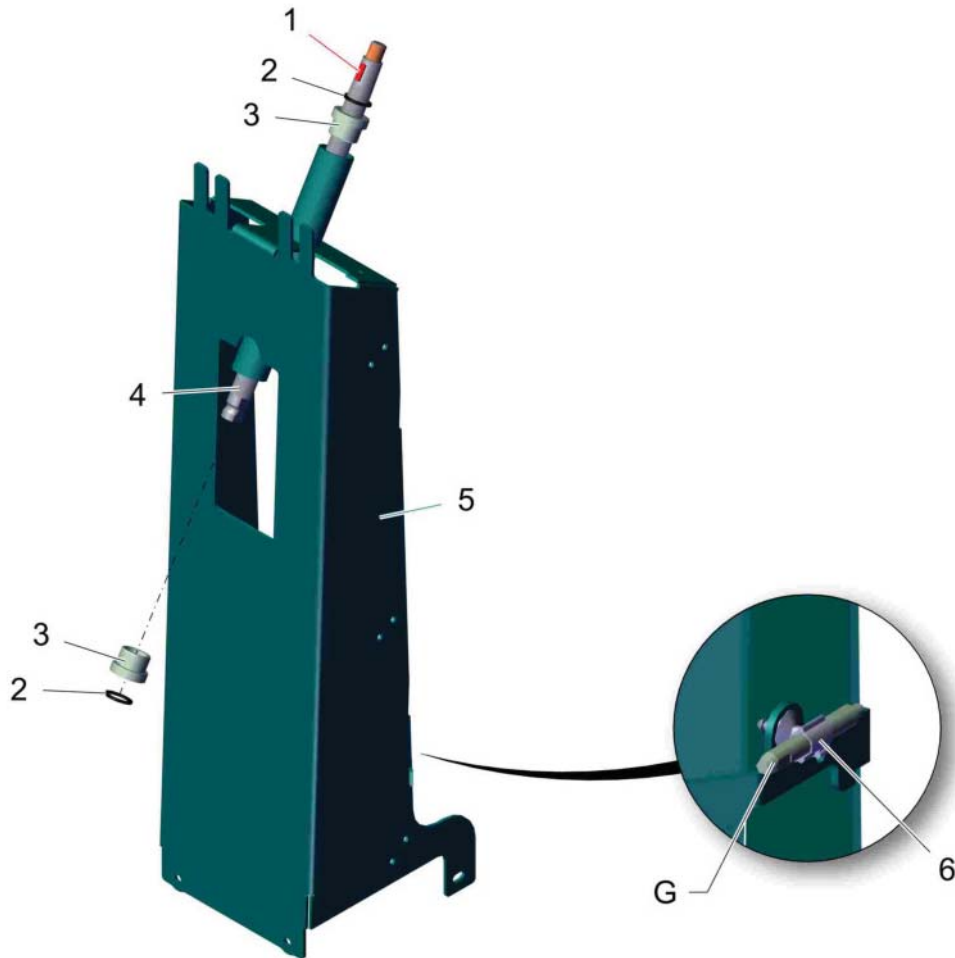
| Item | Part number | Description         | Qty. | Unit | Remarks                           |
|------|-------------|---------------------|------|------|-----------------------------------|
| 1    | 03019900    | steering colum      | 1    |      |                                   |
| 2    | 01136860    | Countersunk screw   | 8    |      |                                   |
| 3    | 03008970    | Decal POWERBOSS     | 1    |      |                                   |
| 4    | 01373190    | floor mat           | 1    |      |                                   |
| 5    | 01073120    | Amtec screw         | 6    |      |                                   |
| 6    | 01073130    | Knob                | 6    |      |                                   |
| 7    | 00053130    | Hexagon screw       | 2    |      |                                   |
| 8    | 00042900    | Washer              | 2    |      |                                   |
| 9    | 01378020    | drive sensor        | 1    |      |                                   |
| 10   | 01133380    | Countersunk screw   | 3    |      |                                   |
| 11   | 01145750    | Foot switch         | 1    |      |                                   |
| 12   | 00959220    | Screw               | 2    |      |                                   |
| 13   | 01372900    | plate               | 1    |      |                                   |
| 14   | 01078160    | Screw               | 4    |      |                                   |
| 15   | 01375260    | steering wheel cab  | 1    |      |                                   |
| 16   | 01382410    | socket head screw   | 1    |      |                                   |
| 17   | 01382520    | flange              | 1    |      |                                   |
| 18   | 01370020    | knob                | 1    |      |                                   |
| 19   | 01371160    | steering wheel      | 1    |      |                                   |
| 20   | 01054880    | Bellows             | 1    |      |                                   |
| 21   | 97135206    | Steering system     | 1    |      |                                   |
| 22   | 00746040    | Cardan joint        | 2    |      |                                   |
| 23   | 01373660    | shaft               | 1    |      |                                   |
| 24   | 00053080    | Hexagon screw       | 2    |      |                                   |
| 25   | 00740090    | Detent edged washer | 2    |      |                                   |
| 26   | 01272710    | Lens head screw     | 4    |      |                                   |
| 27   | 00740080    | Washer              | 4    |      |                                   |
| 28   | 01071890    | Hex.bolt            | 1    |      |                                   |
| 29   | 01072030    | Toothed washer      | 1    |      |                                   |
| 30   | 00102140    | Hex. Nut            | 1    |      |                                   |
| 31   | 01372870    | connector fixing    | 1    |      |                                   |
| 32   | 01372120    | gasket              | 1    |      |                                   |
| 33   | 01372830    | cover               | 1    |      |                                   |
| 34   | 01072520    | Lens flange screw   | 5    |      |                                   |
| 35   | 00967760    | Cable tie           | 1    |      |                                   |
| 36   | 01372090    | gasket              | 1    |      |                                   |
| 37   | 01112160    | Screw               | 2    |      |                                   |
| 38   | 01078160    | Screw               | 3    |      |                                   |
| 39   | 01375240    | cap                 | 1    |      |                                   |
| 40   | 01072000    | Seal                | 1    |      |                                   |
| 41   | 01382630    | ring                | 1    |      |                                   |
| W3   | 03020300    | wiring harness W3   | 1    |      | illustrated content: OBDII-socket |
| W29  | 03020450    | wiring harness W29  | 1    |      |                                   |

Drive sensor (01378020)



| Item | Part number | Description           | Qty.  | Unit | Remarks                    |
|------|-------------|-----------------------|-------|------|----------------------------|
| 1    | 00523790    | Hex.bolt              | 1     |      |                            |
| 2    | 00101550    | Washer                | 1     |      |                            |
| 3    | 00740190    | Slide bearing bush    | 1     |      |                            |
| 4    | 00133130    | Screw                 | 2     |      |                            |
| 5    | 01064890    | Hose                  | 0,040 |      |                            |
| 6    | 01277850    | Leg spring            | 1     |      |                            |
| 7    | 01372710    | accelerator pedal     | 1     |      |                            |
| 8    | 01372690    | clamping bush         | 1     |      |                            |
| 9    | 01055150    | Slide bearing bush    | 1     |      |                            |
| 10   | 01278080    | Mounting clip         | 1     |      |                            |
| 11   | 01372700    | pedal retainer        | 1     |      |                            |
| 12   | 01372160    | starting disk         | 1     |      |                            |
| 13   | 01372170    | retainer              | 1     |      |                            |
| 14   | 01473610    | Threaded plate        | 1     |      | til appr. 2016-05          |
| 15   | ---         | Spare part on request | 1     |      | 96145941 Solenoid retainer |
| 16   | 00854210    | Washer                | 1     |      |                            |
| 17   | 01006190    | Seal                  | 6     |      |                            |
| 18   | 01141370    | Hose                  | 0,420 |      |                            |
| 19   | 00696680    | Micro switch          | 1     |      |                            |
| 20   | 03003250    | Pin housing           | 1     |      |                            |
| 21   | 01006210    | Pin contact           | 6     |      |                            |
| 22   | 01493500    | Retainer              | 1     |      |                            |
| 23   | 01078860    | Screw                 | 2     |      |                            |
| 24   | 01141220    | Lens head screw       | 2     |      | til appr. 2016-05          |
| 25   | 00901550    | Bushing               | 1     |      |                            |
| 26   | 00053730    | Washer                | 1     |      |                            |
| 27   | 01372180    | retainer              | 1     |      | from appr. 2016-06         |
| 28   | 00902430    | Screw                 | 1     |      | from appr. 2016-06         |
| B03  | 01277740    | Angle sensor          | 1     |      | incl. pos. 17-21!          |

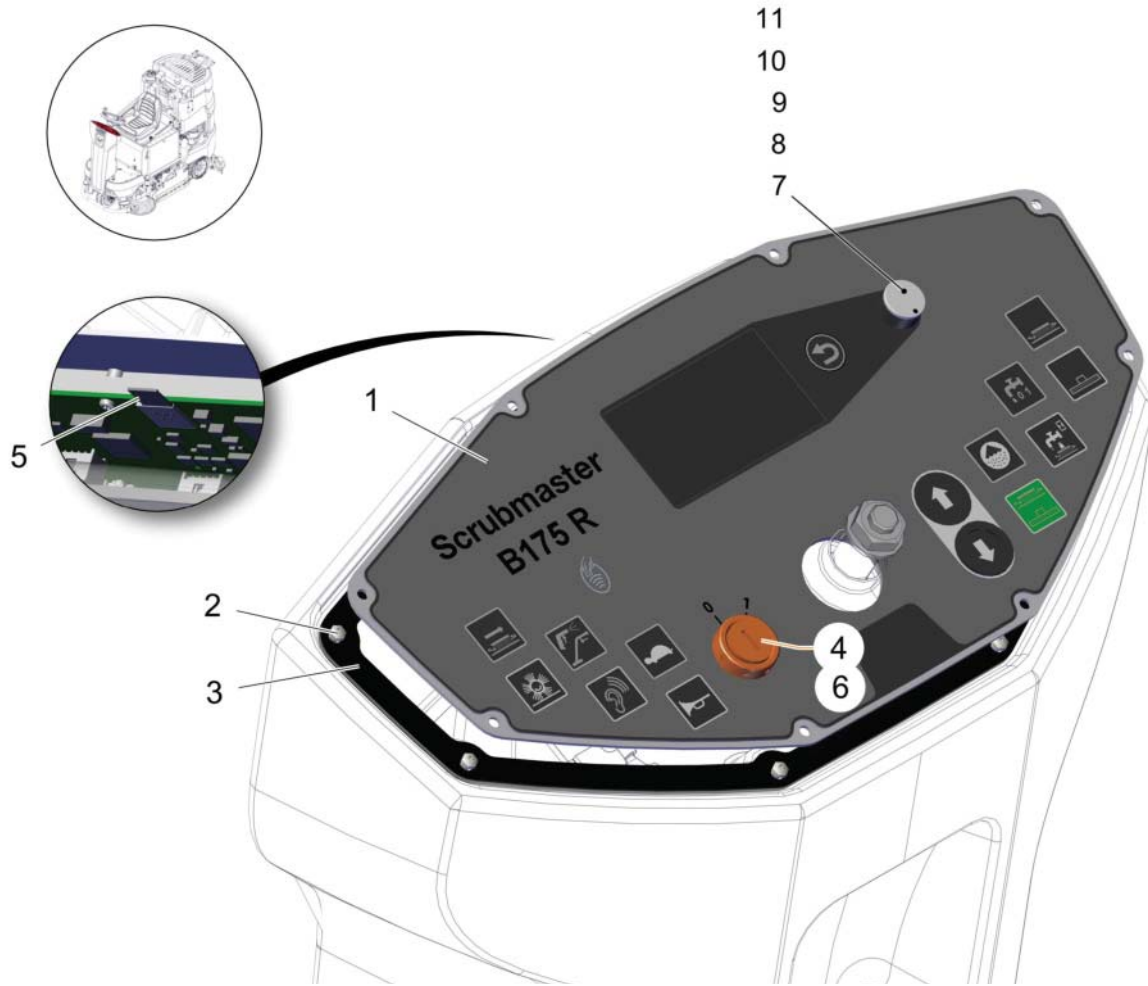
Steering System (97135206)



| Item | Part number | Description          | Qty. | Unit | Remarks                             |
|------|-------------|----------------------|------|------|-------------------------------------|
| 1    | 00701170    | Woodruff key         | 1    |      |                                     |
| 2    | 00554400    | O-ring oil resistant | 2    |      |                                     |
| 3    | 00523630    | Bushing              | 2    |      |                                     |
| 4    | 01373910    | shaft                | 1    |      |                                     |
| 5    | 03020220    | steering holder      | 1    |      |                                     |
| 6    | 01493500    | Retainer             | 1    |      |                                     |
| G    | -           | Not supplied alone!  |      |      | handle to solve brake of drive unit |

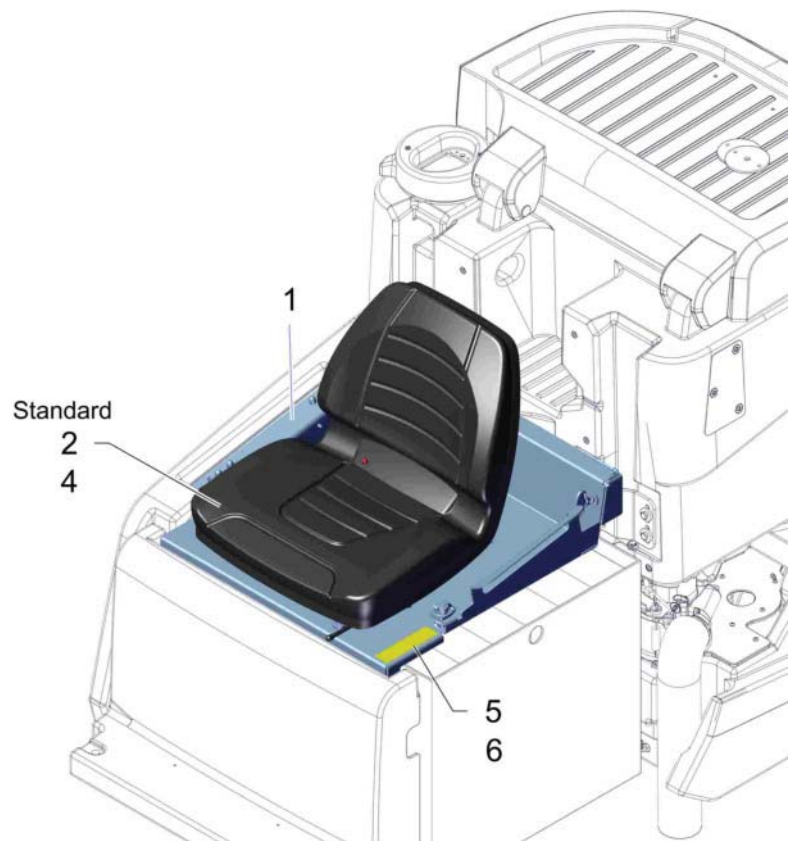
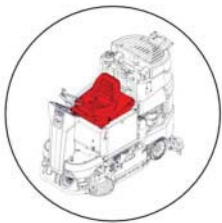


Control panel (97140412)



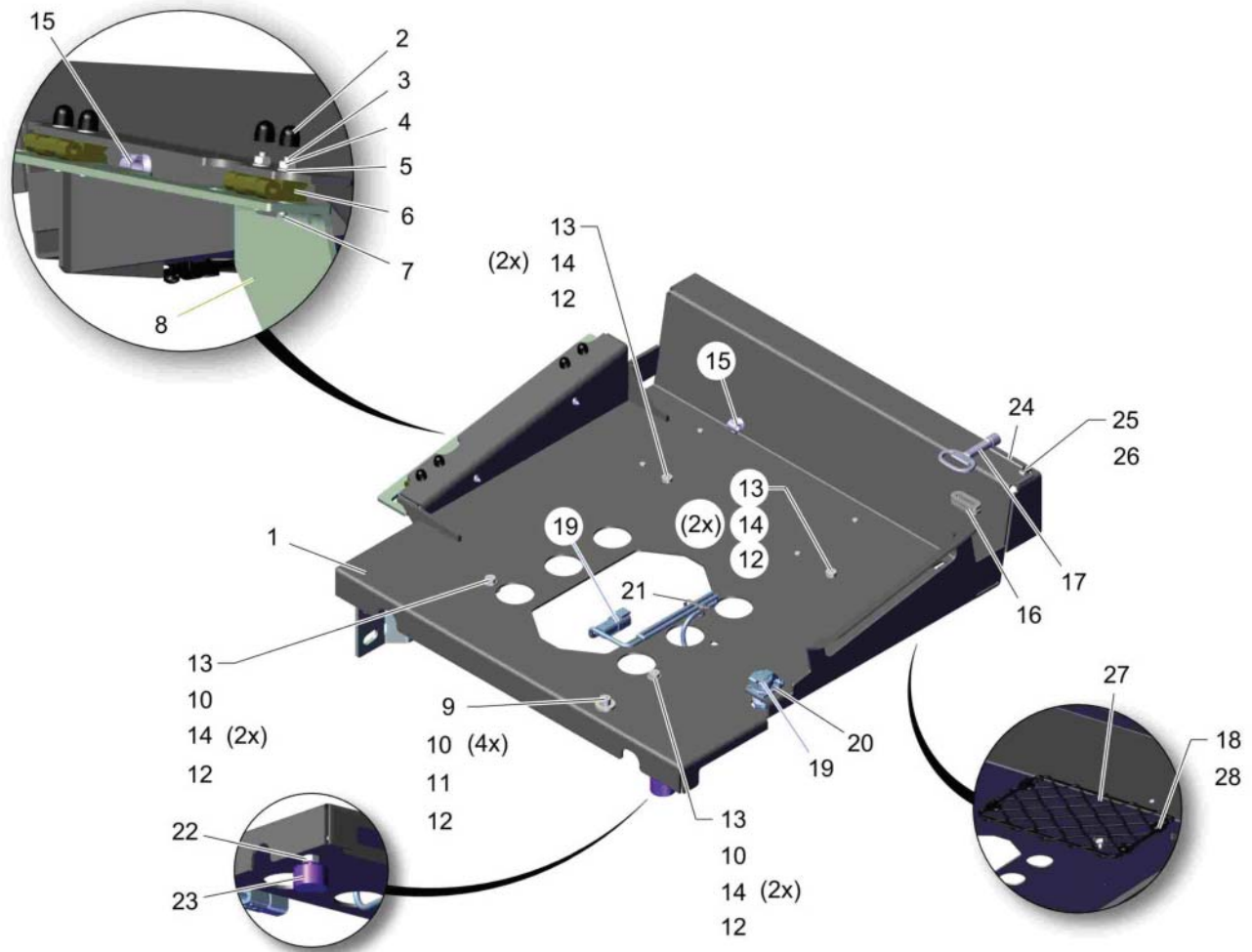
| Item | Part number | Description          | Qty. | Unit | Remarks |
|------|-------------|----------------------|------|------|---------|
| 1    | 01372030    | control panel        | 1    |      |         |
| 2    | 01136860    | Countersunk screw    | 8    |      |         |
| 3    | 01372000    | gasket               | 1    |      |         |
| 4    | 00021710    | Key switch           | 1    |      |         |
| 5    | 01374870    | smart card           | 1    |      |         |
| 6    | 00745890    | Set (2pc.) key       | 1    |      |         |
| 7    | 01379950    | gasket               | 1    |      |         |
| 8    | 01379960    | bushing              | 1    |      |         |
| 9    | 01379970    | connection cable DDS | 1    |      |         |
| 10   | 01379980    | control panel        | 1    |      |         |
| 11   | 01379990    | turning knob         | 1    |      |         |

Seat group - seat variants (97145437)



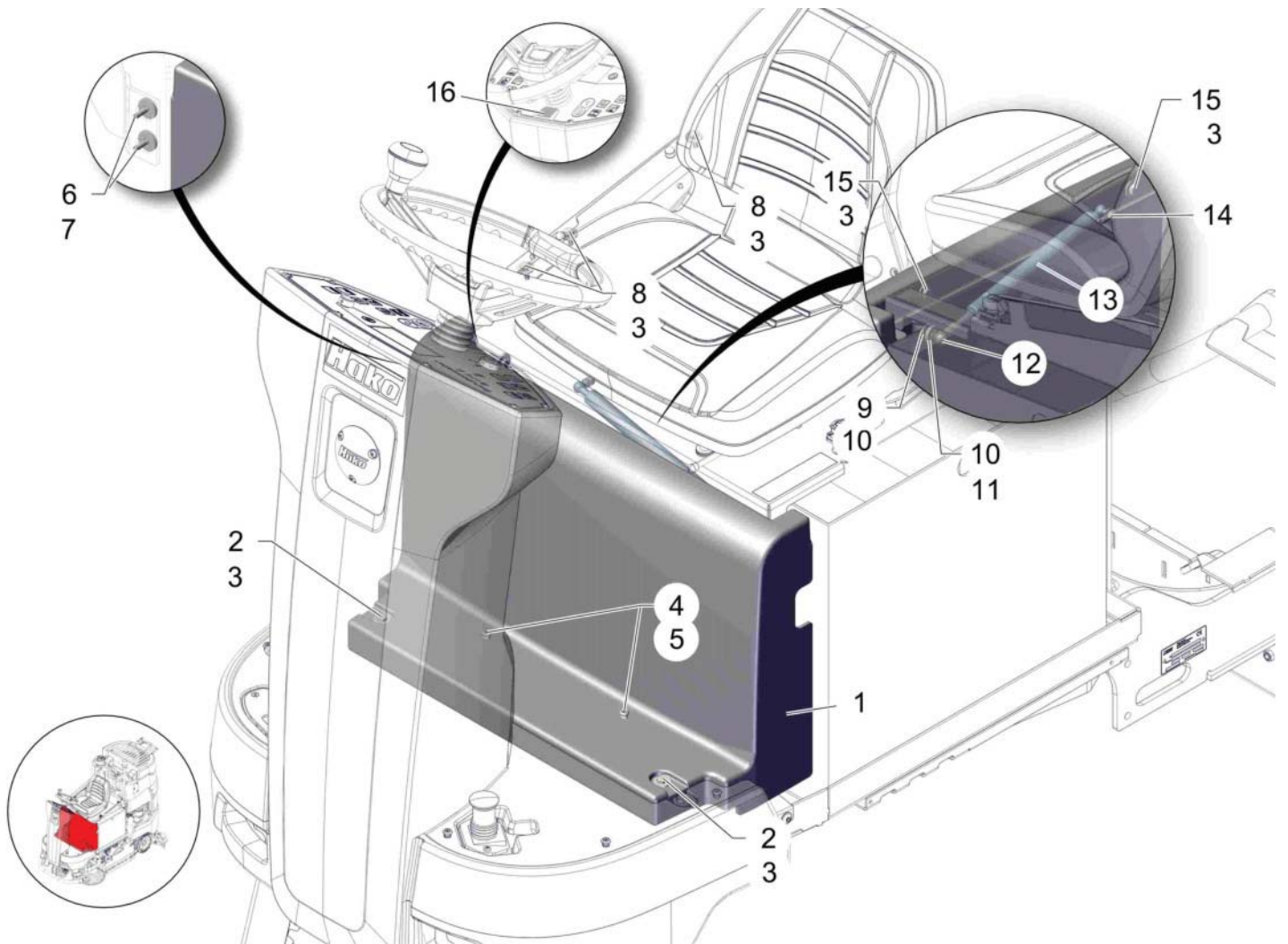
| Item | Part number     | Description           | Qty.        | Unit      | Remarks                 |
|------|-----------------|-----------------------|-------------|-----------|-------------------------|
| 1    | <b>97141394</b> | <b>Seat plate</b>     | <b>Page</b> | <b>16</b> |                         |
| 2    | 01277650        | seat                  | 1           |           |                         |
| 3    | 01370010        | driver seat           | 1           |           |                         |
| 4    | 01277700        | Seat contact switch   | 1           |           |                         |
| 5    | 01371840        | decal SIGN_GRADE 6    | 1           |           | 6%                      |
| 5    | ---             | Spare part on request | 1           |           | 92022599 belt buckle    |
| 6    | ---             | Spare part on request | 1           |           | 92022581 belt retractor |
| 6    | 01376870        | decal GRADE 15        | 1           |           | 15%                     |

Seat plate (97141394)



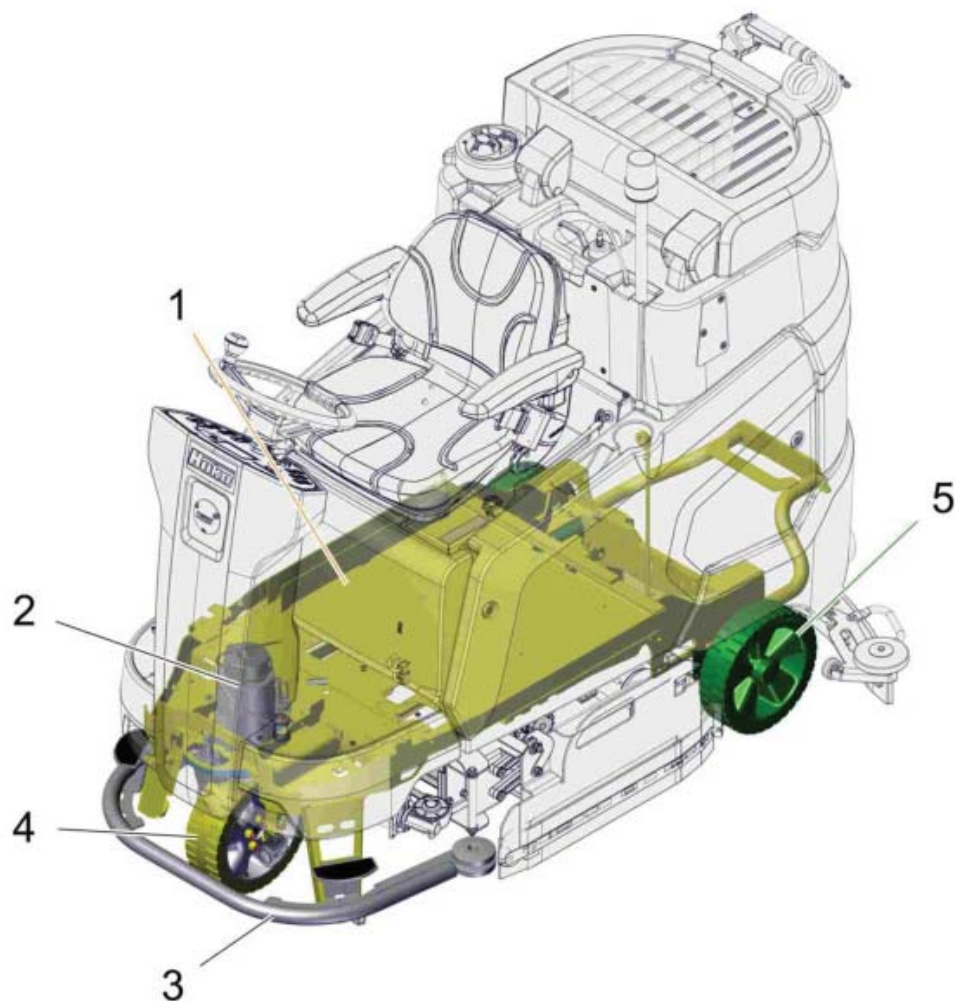
| Item | Part number | Description             | Qty. | Unit | Remarks                     |
|------|-------------|-------------------------|------|------|-----------------------------|
| 1    | 03020250    | seat sheet metal        | 1    |      |                             |
| 2    | 00525910    | Lens cap                | 4    |      |                             |
| 3    | 01271620    | Countersunk screw       | 4    |      |                             |
| 4    | 00053330    | Hex. Nut                | 4    |      |                             |
| 5    | 00740280    | Washer                  | 4    |      |                             |
| 6    | 00740450    | Hinge                   | 2    |      |                             |
| 7    | 00872460    | Countersunk screw       | 4    |      |                             |
| 8    | 01373720    | bearing sheet metal     | 1    |      |                             |
| 9    | 00045540    | Cylinder head screw     | 1    |      |                             |
| 10   | 00053750    | Washer                  | 6    |      |                             |
| 11   | 00740310    | Washer                  | 1    |      |                             |
| 12   | 00051510    | Hex. Nut                | 5    |      |                             |
| 13   | 00102790    | Cylinder head screw     | 4    |      |                             |
| 14   | 00042900    | Washer                  | 8    |      |                             |
| 15   | 01493500    | Retainer                | 3    |      |                             |
| 16   | 00028800    | Socket                  | 1    |      |                             |
| 17   | 00071900    | Key                     | 1    |      |                             |
| 18   | 00051890    | Countersunk screw       | 4    |      |                             |
| 19   | 01371470    | USB charging connection | 1    |      |                             |
| 20   | 01110570    | Screw                   | 4    |      |                             |
| 21   | 00967760    | Cable tie               | 2    |      |                             |
| 22   | 00053350    | Hex. Nut                | 1    |      |                             |
| 23   | 00538440    | Buffer                  | 1    |      |                             |
| 24   | ---         | Spare part on request   | 1    |      | 92017755 socket head wrench |
| 25   | 00903290    | Tube clamp              | 1    |      |                             |
| 26   | 00501420    | Screw                   | 1    |      |                             |
| 27   | 01172540    | Luggage rack            | 1    |      |                             |
| 28   | 00133830    | Hex. Nut                | 4    |      |                             |

Operation area - covering for electric equipment (97141386)



| Item | Part number | Description            | Qty. | Unit | Remarks |
|------|-------------|------------------------|------|------|---------|
| 1    | 01372210    | covering               | 1    |      |         |
| 2    | 00053130    | Hexagon screw          | 2    |      |         |
| 3    | 00042900    | Washer                 | 7    |      |         |
| 4    | 01073130    | Knob                   | 2    |      |         |
| 5    | 01073120    | Amtec screw            | 2    |      |         |
| 6    | 00053100    | Hexagon screw          | 2    |      |         |
| 7    | 00047990    | Disk wheel             | 2    |      |         |
| 8    | 00553690    | Hex.bolt               | 3    |      |         |
| 9    | 01373600    | bushing                | 1    |      |         |
| 10   | 01102770    | Approach disk          | 2    |      |         |
| 11   | 00902280    | Washer                 | 1    |      |         |
| 12   | 00527690    | Angle joint            | 1    |      |         |
| 13   | 01111640    | Gas-pressurized spring | 1    |      |         |
| 14   | 00051510    | Hex. Nut               | 1    |      |         |
| 15   | 00704610    | Hex.bolt               | 2    |      |         |
| 16   | 03019480    | adhesive label         | 1    |      |         |

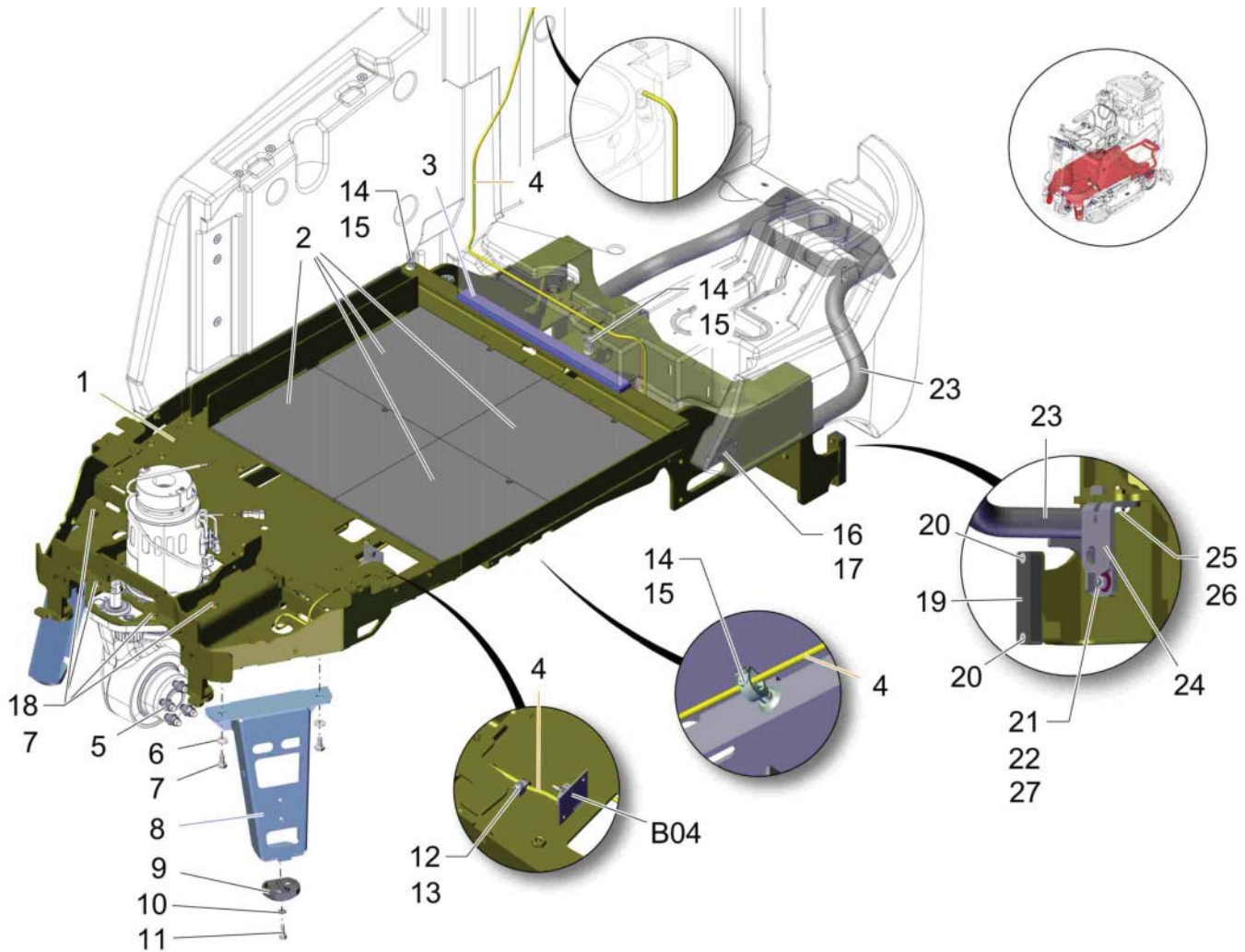
**Chassis (97140578\_63)**





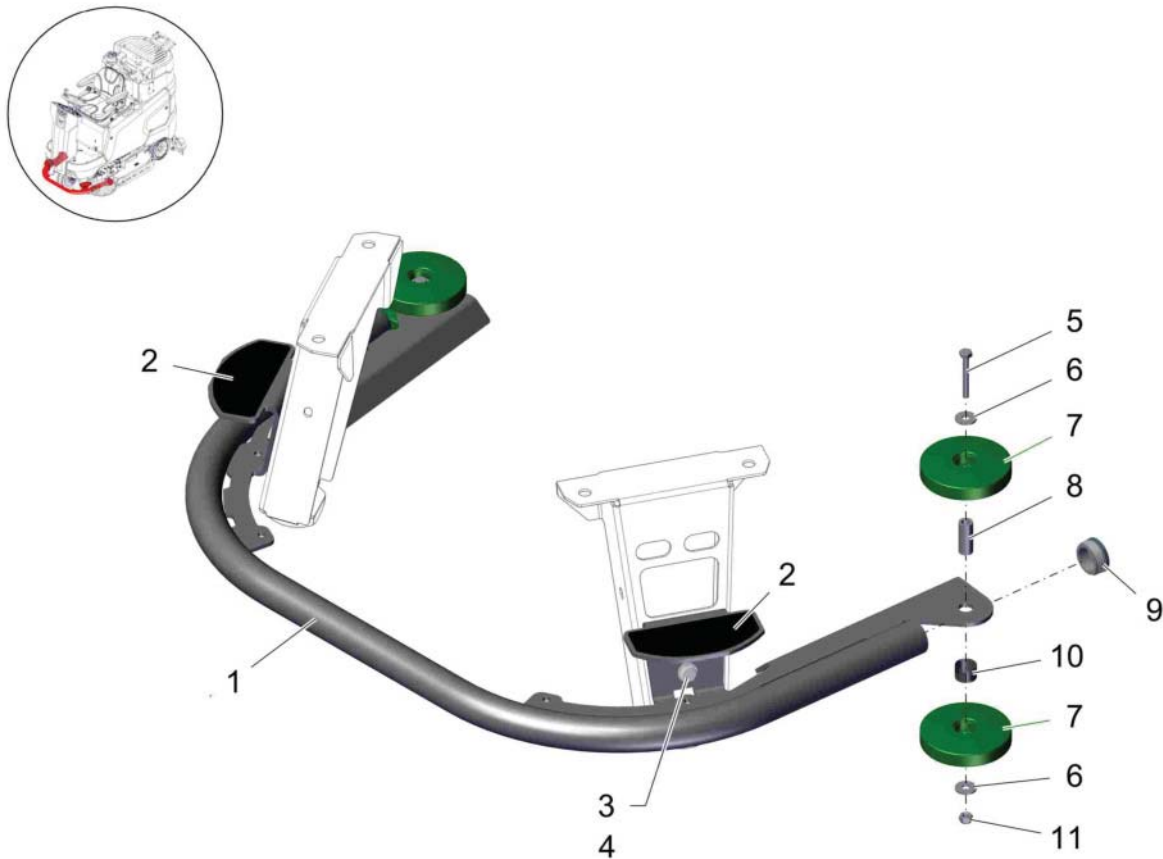
| <b>Item</b> | <b>Part number</b> | <b>Description</b>  | <b>Qty.</b> | <b>Unit</b> | <b>Remarks</b> |
|-------------|--------------------|---|-------------|-------------|----------------|
| 1           | 97141253           | Chassis   | 1           |             |                |
| 2           | 01371270           | traction drive AC 36V 1,9kW                               | 1           |             |                |
| 3           | 97144950           | Front bumper disk brush head 900 /<br>cyl. brush head 850 | 1           |             |                |
| 4           | 01371440           | wheel   | 1           |             |                |
| 5           | 97141246           | Rear axle, not driven                                     | 1           |             |                |

Chassis (97141253)



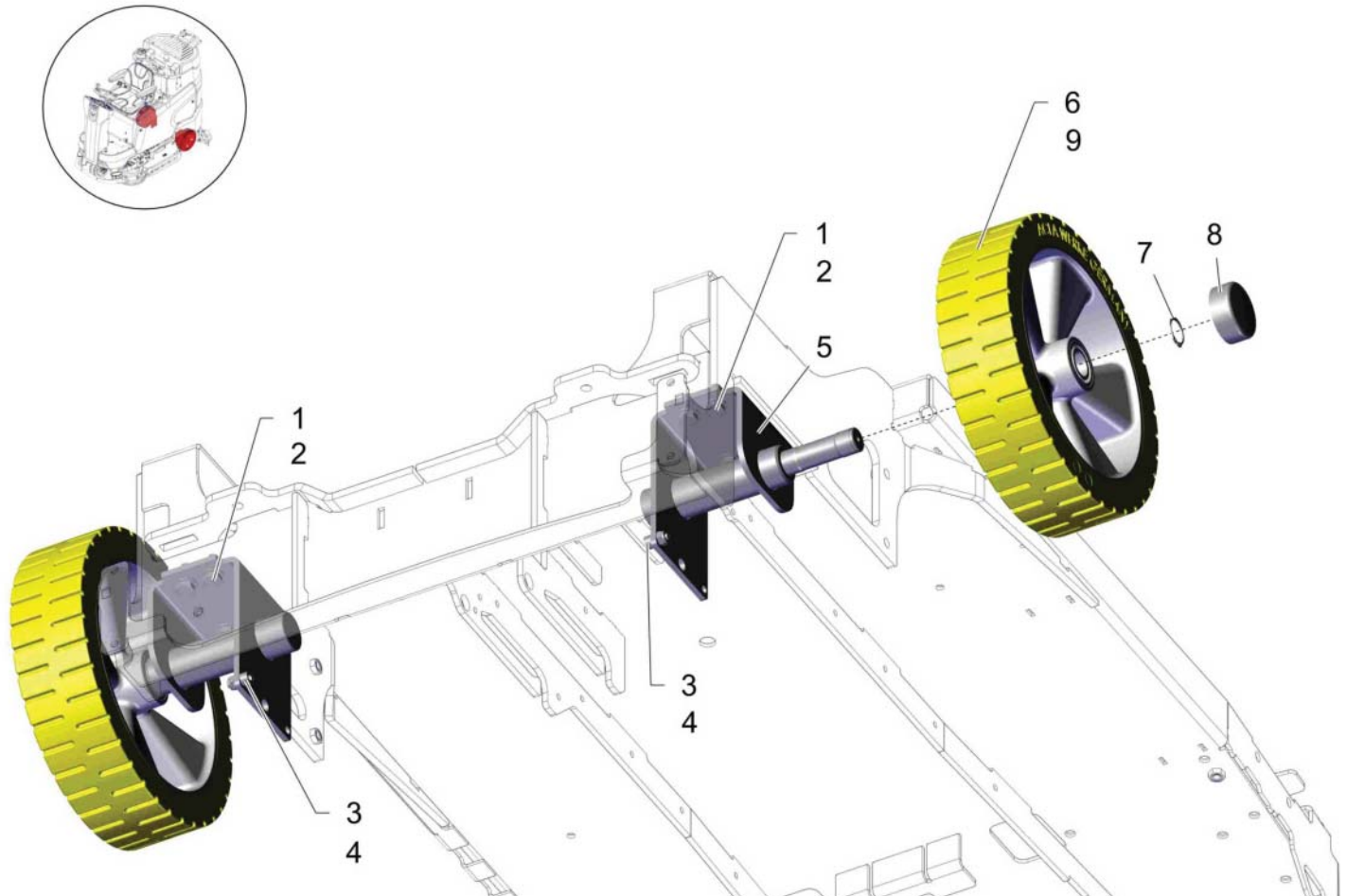
| Item | Part number | Description          | Qty.  | Unit | Remarks  |
|------|-------------|----------------------|-------|------|--|
| 1    | 03020230    | chassis              | 1     |      |  |
| 2    | 01371760    | mat                  | 4     |      |  |
| 3    | 01371730    | support              | 1     |      |  |
| 4    | 01372290    | hose                 | 2,570 |      |  |
| 5    | 00156320    | Spherical collar nut | 5     |      | With every exchange of wheel exchange the nuts, too, please! |
| 6    | 00021130    | Hex.bolt             | 4     |      |  |
| 7    | 00740290    | Detent edged washer  | 10    |      |  |
| 8    | 01373890    | support              | 2     |      |  |
| 9    | 01371320    | stay                 | 2     |      |  |
| 10   | 00740310    | Washer               | 2     |      |  |
| 11   | 00045540    | Cylinder head screw  | 2     |      |  |
| 12   | 00100550    | Clamp                | 1     |      |  |
| 13   | 00959220    | Screw                | 1     |      |  |
| 14   | 01370250    | retainer             | 9     |      |  |
| 15   | 01370240    | mounting feet        | 9     |      |  |
| 16   | 01073780    | Nameplate            | 1     |      |  |
| 17   | 00131600    | Rivet                | 2     |      |  |
| 18   | 00053160    | Hexagon screw        | 6     |      |  |
| 19   | 01372250    | buffer               | 2     |      |  |
| 20   | 00508990    | Countersunk screw    | 4     |      |  |
| 21   | 00053350    | Hex. Nut             | 2     |      |  |
| 22   | 00740080    | Washer               | 2     |      |  |
| 23   | 01373940    | bumper               | 1     |      |  |
| 24   | 01373760    | angle                | 2     |      |  |
| 25   | 00053100    | Hexagon screw        | 2     |      |  |
| 26   | 00740090    | Detent edged washer  | 2     |      |  |
| 27   | 01112000    | Threaded pin         | 2     |      |  |
| B04  | 01371480    | pressure sensor      | 1     |      |  |

**Front bumper cylindrical brush head 850 (97144950)**



| Item | Part number | Description         | Qty.  | Unit | Remarks |
|------|-------------|---------------------|-------|------|---------|
| 1    | 01372130    | bumper              | 1     |      |         |
| 2    | 01372260    | decal               | 2     |      |         |
| 3    | 00021130    | Hex.bolt            | 4     |      |         |
| 4    | 00740290    | Detent edged washer | 4     |      |         |
| 5    | 00053130    | Hexagon screw       | 2     |      |         |
| 6    | 00042900    | Washer              | 4     |      |         |
| 7    | 01171790    | Deflector roller    | 4     |      |         |
| 8    | 00975110    | Bushing             | 2     |      |         |
| 9    | 01135410    | sealing plug        | 2     |      |         |
| 10   | 01228800    | Hose                | 0,040 |      |         |
| 11   | 00051510    | Hex. Nut            | 2     |      |         |

rear axle, not driven (97141246)

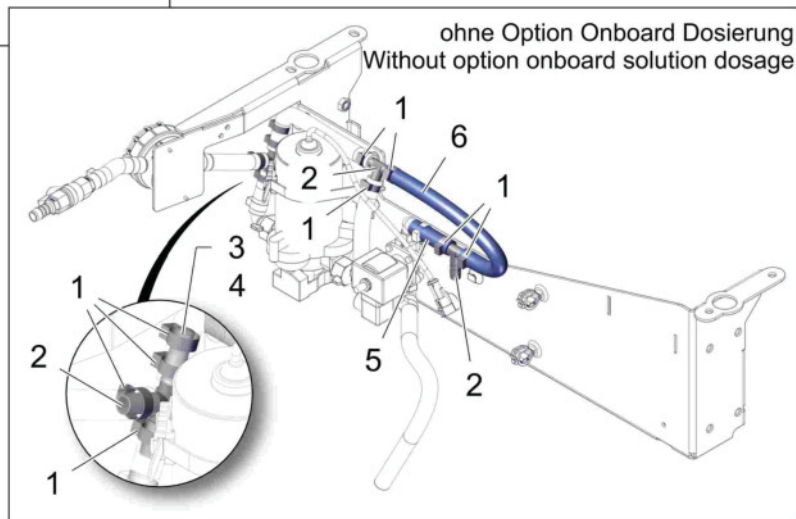
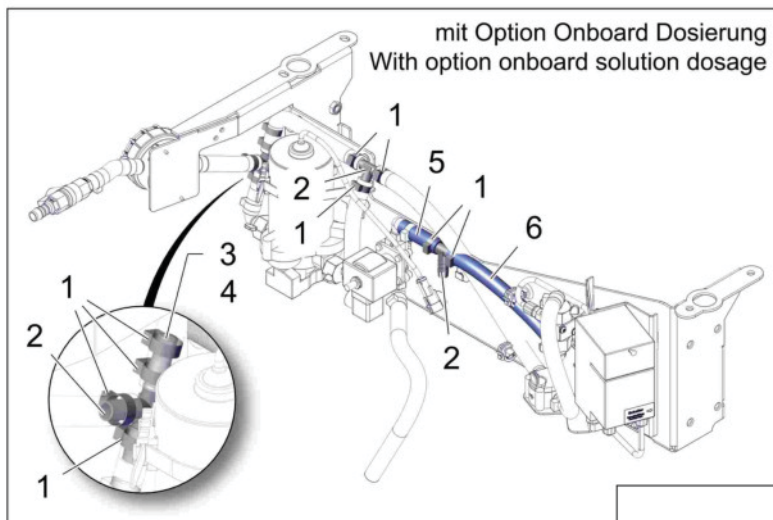


| Item | Part number | Description              | Qty. | Unit | Remarks |
|------|-------------|--------------------------|------|------|---------|
| 1    | 00053310    | Hexagon screw            | 8    |      |         |
| 2    | 00740290    | Detent edged washer      | 8    |      |         |
| 3    | 00154410    | Cylinder head screw      | 2    |      |         |
| 4    | 00051510    | Hex. Nut                 | 2    |      |         |
| 5    | 01373880    | spindle support          | 2    |      |         |
| 6    | 01371550    | wheel                    | 2    |      |         |
| 7    | 00022460    | Retaining ring           | 2    |      |         |
| 8    | 01171530    | Cap                      | 2    |      |         |
| 9    | 00281050    | Deep groove ball bearing | 2    |      |         |



| Item | Part number | Description   | Qty.  | Unit | Remarks |
|------|-------------|---|-------|------|---------|
| 1    | 01373870    | sheet metal   | 1     |      |         |
| 2    | 00154140    | Screwed angle fitting                               | 2     |      |         |
| 3    | 01376430    | hose clamp  | 7     |      |         |
| 4    | 00112010    | Hose  | 0,050 |      |         |
| 5    | 00112010    | Hose  | 0,200 |      |         |
| 6    | 01073340    | Cable tie   | 1     |      |         |
| 7    | 00543750    | Pump  | 1     |      |         |
| 8    | 01135470    | pin housing   | 1     |      |         |
| 9    | 01063790    | Pin contact   | 2     |      |         |
| 10   | 00903580    | Gasket  | 2     |      |         |
| 11   | 00903190    | Flat connector                                      | 1     |      |         |
| 12   | 01052080    | Valve plate   | 1     |      |         |
| 13   | 00112010    | Hose  | 0,120 |      |         |
| 14   | 01071000    | Electrovalve  | 1     |      |         |
| 15   | 01278080    | Mounting clip                                       | 2     |      |         |
| 16   | 00020020    | Angle socket  | 2     |      |         |
| 17   | 00112010    | Hose  | 0,320 |      |         |
| 18   | 00058580    | Hex.bolt  | 2     |      |         |
| 19   | 00053710    | Washer  | 4     |      |         |
| 20   | 97145486    | Preliminary parts for spraying tools on water plate | 1     |      |         |
| 21   | 01370250    | retainer  | 2     |      |         |
| 22   | 01370240    | mounting feet                                       | 2     |      |         |
| 23   | 01179160    | Decal yellow point                                  | 1     |      |         |
| 24   | 00112010    | Hose  | 0,100 |      |         |
| 25   | 01077170    | Water filter  | 1     |      |         |
| 26   | 01177090    | Filter cover  | 1     |      |         |
| 27   | 01178210    | Strainer  | 1     |      |         |
| 28   | 01178130    | O-ring  | 1     |      |         |
| 29   | 01112160    | Screw   | 2     |      |         |
| 30   | 00112010    | Hose  | 0,080 |      |         |
| 31   | 00976140    | Screwed plug  | 2     |      |         |
| 32   | 00952760    | Ball tap  | 1     |      |         |
| 33   | 01371990    | valve connector                                     | 1     |      |         |

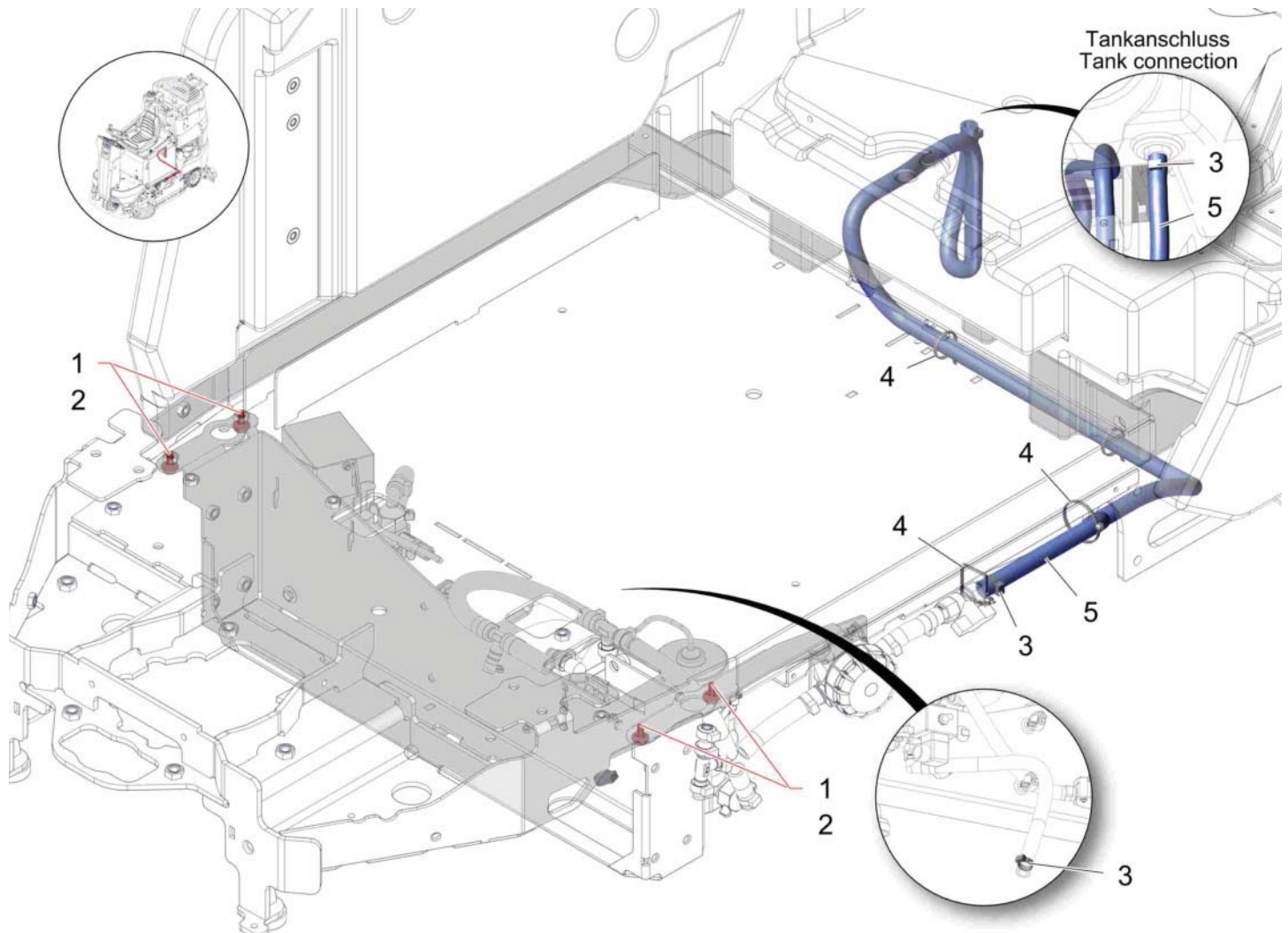
## Preliminary parts for spraying tools on water plate (97145486)



| Item | Part number | Description        | Qty.  | Unit | Remarks |
|------|-------------|--------------------|-------|------|---------|
| 1    | 01376430    | hose clamp         | 9     |      |         |
| 2    | 00976160    | T-piece            | 3     |      |         |
| 3    | 01371810    | recycling stop     | 1     |      |         |
| 4    | 01372620    | plain bearing bush | 1     |      |         |
| 5    | 00112010    | Hose               | 0,060 |      |         |
| 6    | 00112010    | Hose               | 0,220 |      |         |

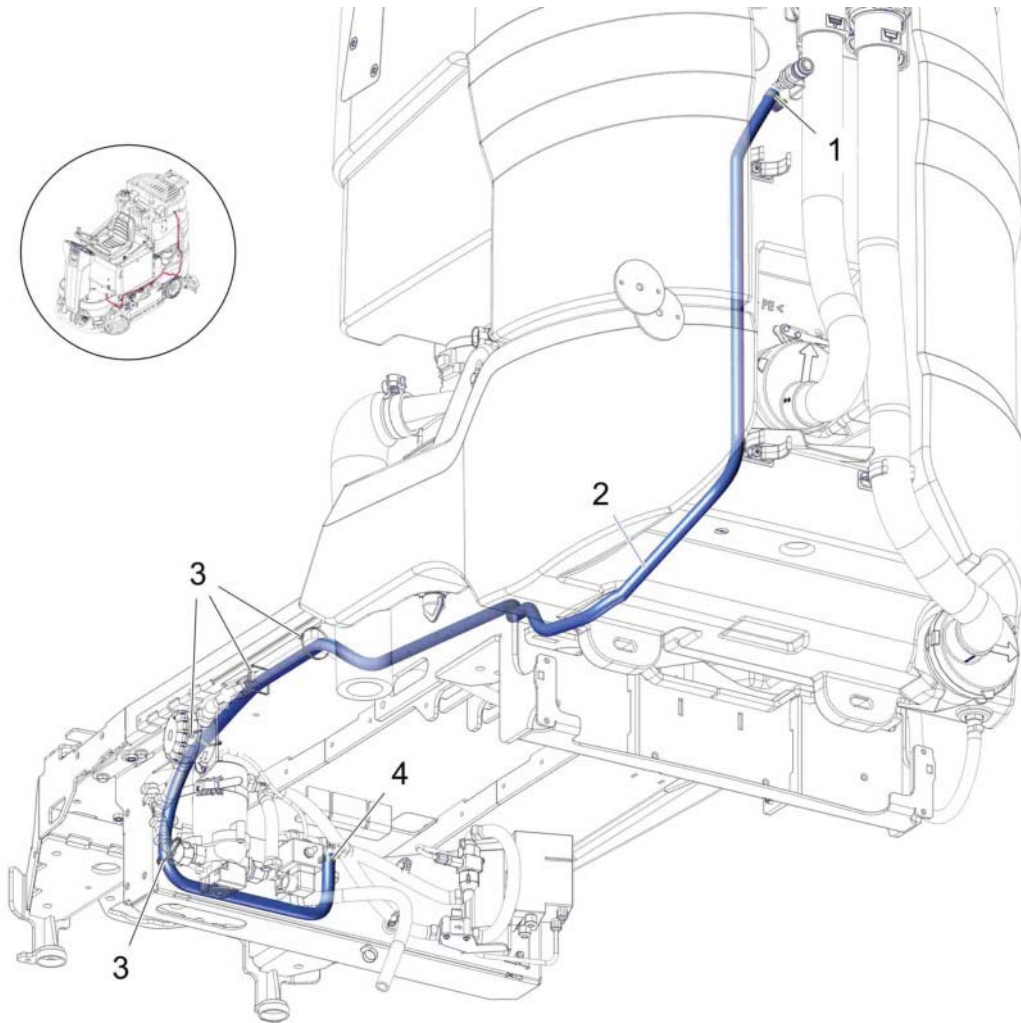


Tank connection water system (97138200)



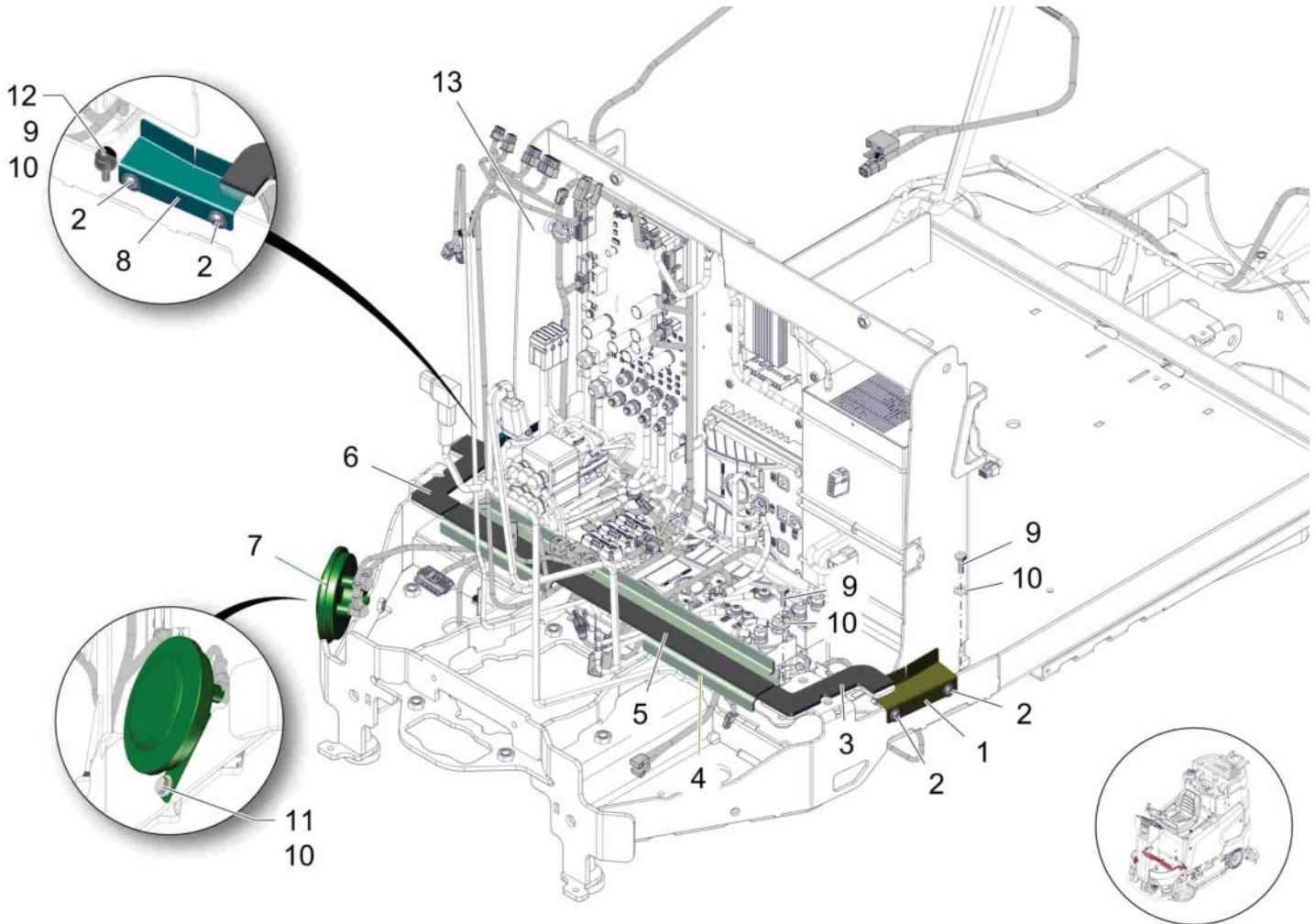
| Item | Part number | Description         | Qty.  | Unit | Remarks |
|------|-------------|---------------------|-------|------|---------|
| 1    | 00053080    | Hexagon screw       | 4     |      |         |
| 2    | 00740090    | Detent edged washer | 4     |      |         |
| 3    | 01376430    | hose clamp          | 3     |      |         |
| 4    | 00967760    | Cable tie           | 4     |      |         |
| 5    | 00112010    | Hose                | 1,610 |      |         |

**Preliminary parts for spraying tools (97142061)**



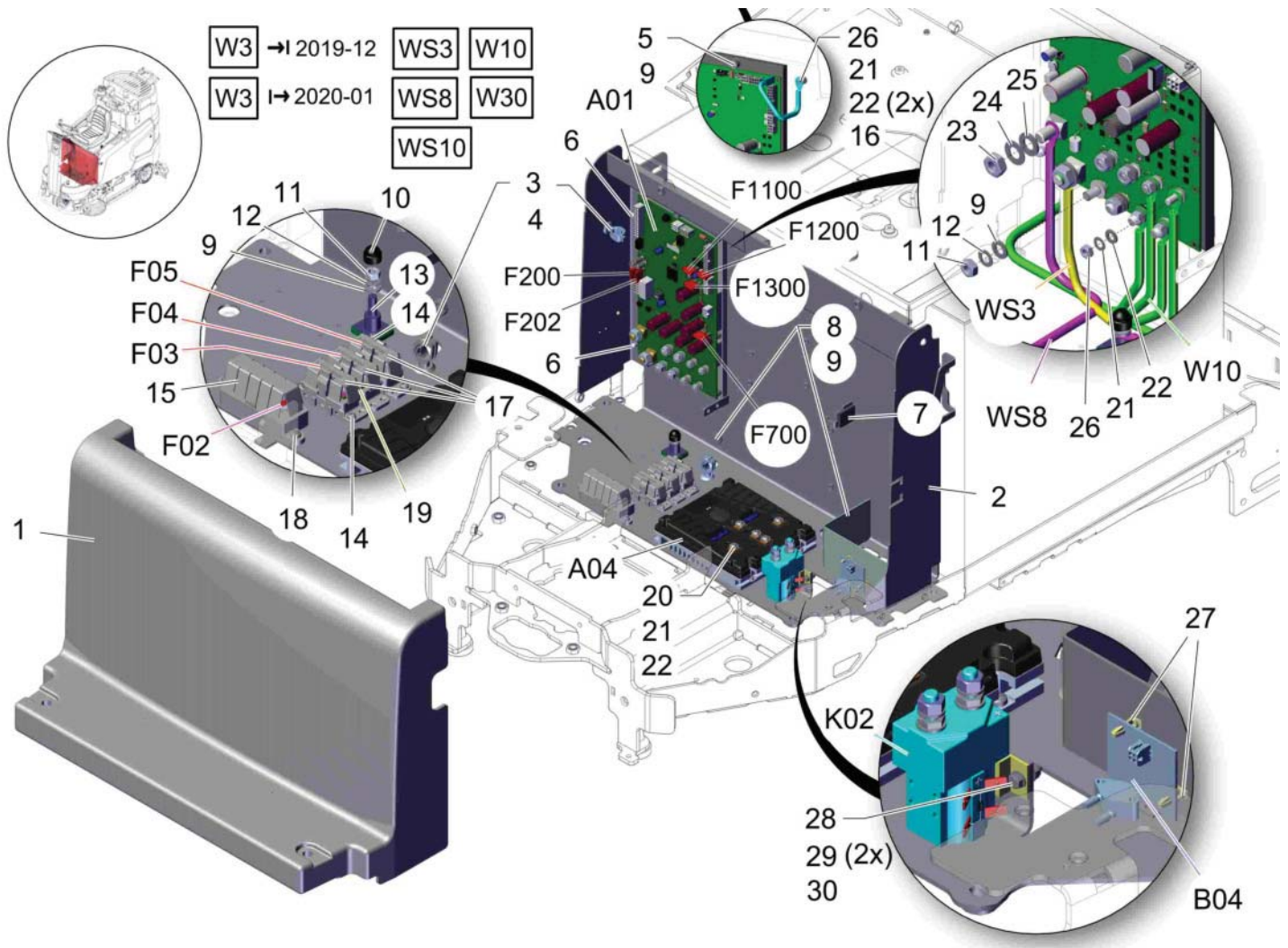
| Item | Part number | Description | Qty.  | Unit | Remarks |
|------|-------------|-------------|-------|------|---------|
| 1    | 01015350    | Hose clamp  | 1     |      |         |
| 2    | 00112010    | Hose        | 2,470 |      |         |
| 3    | 00967760    | Cable tie   | 4     |      |         |
| 4    | 01376430    | hose clamp  | 1     |      |         |

Electric equipment (97141840\_36)



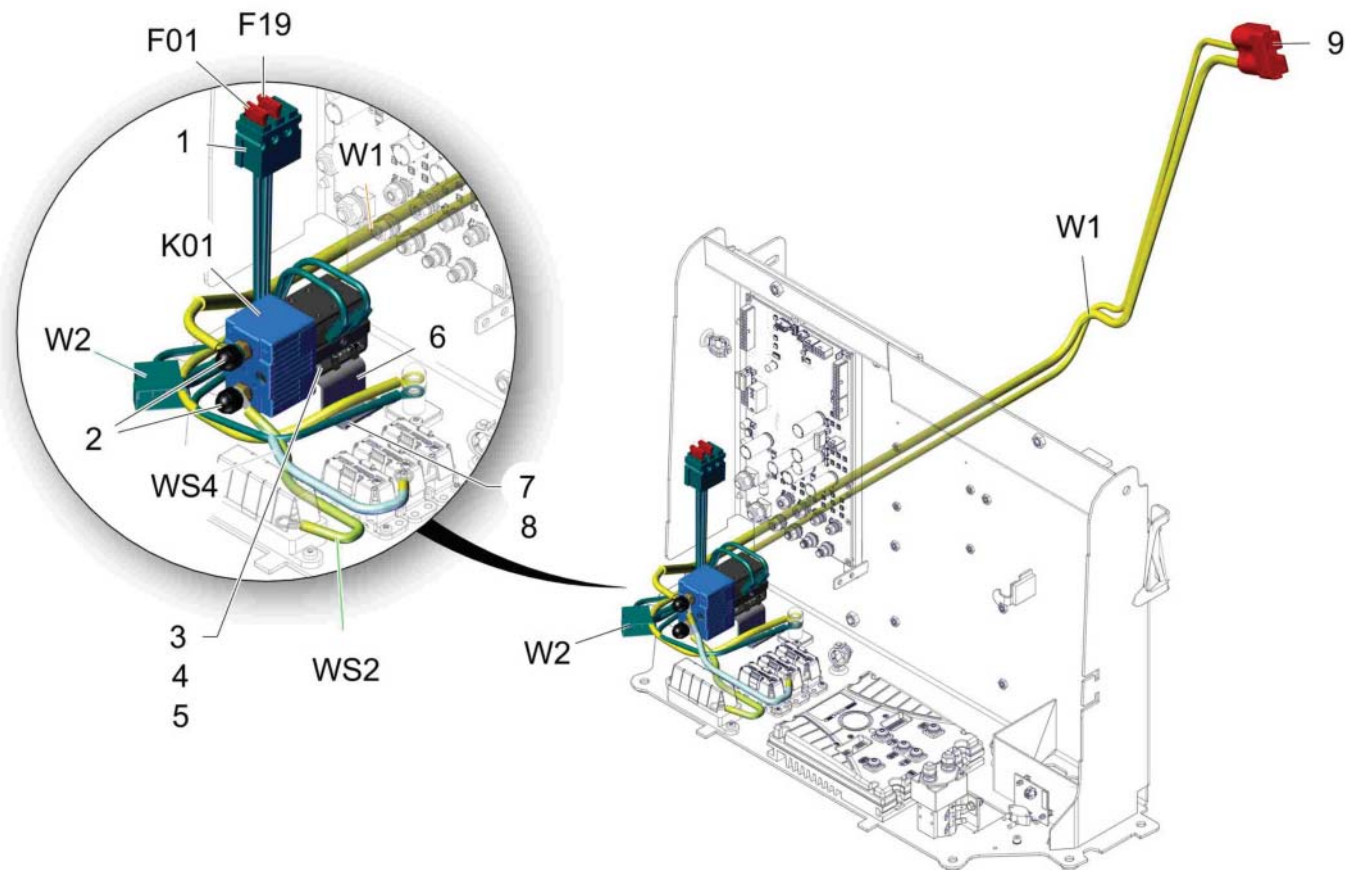
| Item | Part number | Description                  | Qty.  | Unit | Remarks |
|------|-------------|------------------------------|-------|------|---------|
| 1    | 01373390    | splash guard L.H.            | 1     |      |         |
| 2    | 01133350    | Lens flange screw            | 4     |      |         |
| 3    | 01372230    | gasket L.H.                  | 1     |      |         |
| 4    | 01373430    | gasket sheet metal           | 1     |      |         |
| 5    | 01222400    | Sealing tape black           | 0,510 |      |         |
| 6    | 01372340    | gasket R.H..                 | 1     |      |         |
| 7    | 00050810    | Signal horn                  | 1     |      |         |
| 8    | 01373360    | splash guard R.H.            | 1     |      |         |
| 9    | 00053090    | Hexagon screw                | 5     |      |         |
| 10   | 00740090    | Detent edged washer          | 6     |      |         |
| 11   | 00536320    | Hex.bolt                     | 1     |      |         |
| 12   | 00131610    | Lens cap                     | 1     |      |         |
| 13   | EL_B175_36  | Electric plate, configurable | 1     |      |         |

Base electric plate (97141907)



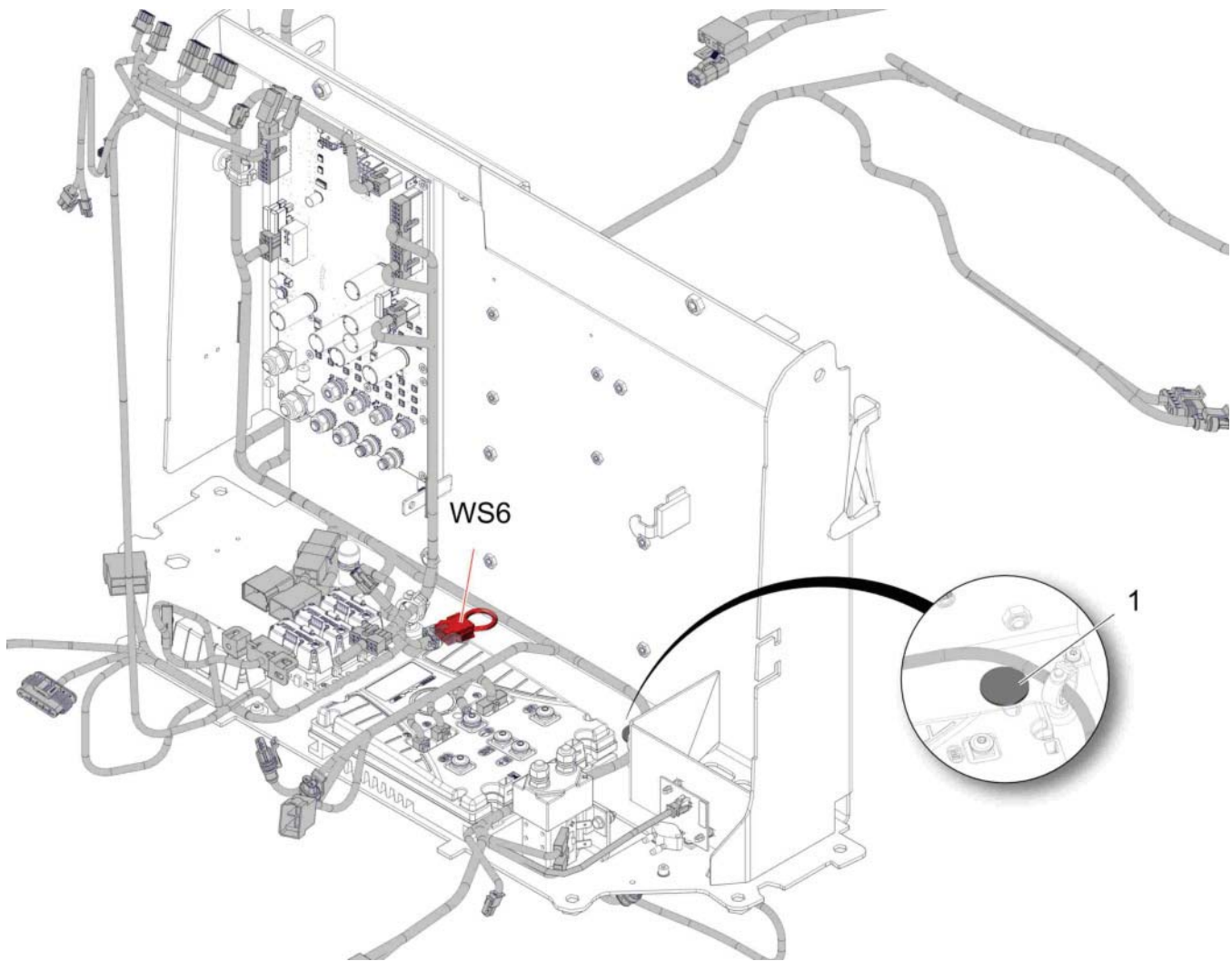
| Item  | Part number | Description            | Qty.  | Unit | Remarks   |
|-------|-------------|------------------------|-------|------|---|
| 1     | 01372210    | covering               | 1     |      |   |
| 2     | 03020240    | carrier                | 1     |      |   |
| 3     | 01370250    | retainer               | 3     |      |   |
| 4     | 01370240    | mounting feet          | 3     |      |   |
| 5     | 00045540    | Cylinder head screw    | 1     |      |   |
| 6     | 01493500    | Retainer               | 2     |      |   |
| 7     | 01222400    | Sealing tape black     | 0,030 |      |   |
| 8     | 00151810    | Hexagon screw          | 2     |      |   |
| 9     | 00053750    | Washer                 | 8     |      |   |
| 10    | 00131610    | Lens cap               | 1     |      |   |
| 11    | 00053350    | Hex. Nut               | 5     |      |   |
| 12    | 00053850    | Spring washer          | 5     |      |   |
| 13    | 00744670    | Single clamp           | 1     |      |   |
| 14    | 01112160    | Screw                  | 6     |      |   |
| 15    | 01371390    | fuse holder            | 1     |      |   |
| 16    | 00872460    | Countersunk screw      | 1     |      |   |
| 17    | 01473870    | Fuse holder            | 3     |      |   |
| 18    | 00959220    | Screw                  | 6     |      |   |
| 19    | 01376390    | current bar            | 1     |      |   |
| 20    | 01072520    | Lens flange screw      | 5     |      |   |
| 21    | 00053840    | Spring washer          | 9     |      |   |
| 22    | 00053730    | Washer                 | 10    |      |   |
| 23    | 00053360    | Hex. Nut               | 2     |      |   |
| 24    | 00053860    | Spring washer          | 2     |      |   |
| 25    | 00053760    | Washer                 | 2     |      |   |
| 26    | 00053330    | Hex. Nut               | 5     |      |   |
| 27    | 00745840    | Print plate holder     | 2     |      |   |
| 28    | 00054410    | Hex.bolt               | 2     |      |   |
| 29    | 00053720    | Washer                 | 4     |      |   |
| 30    | 00051340    | Hex. Nut               | 2     |      |   |
| A01   | 01379680    | controller             | 1     |      | incl. fuses F200, F202, F700, F1100, F1200, F1300 |
| A04   | 01371510    | driving control        | 1     |      |   |
| B04   | 01371480    | pressure sensor        | 1     |      |   |
| F02   | 01371410    | fuse link              | 1     |      | machine controller                                |
| F03   | 01371300    | fuse link              | 1     |      | drive control front                               |
| F04   | 01371250    | fuse link              | 1     |      | drive control rear                                |
| F05   | 01371170    | fuse link              | 1     |      | front sweeper / side broom                        |
| F200  | 01376830    | fuse link FKS C3A 80V  | 1     |      | content of A1                                     |
| F202  | 01376830    | fuse link FKS C3A 80V  | 1     |      | content of A1                                     |
| F700  | 01376770    | fuse link FKS C25A 80V | 1     |      | content of A1                                     |
| F1100 | 00874970    | Fuse                   | 1     |      | content of A1                                     |
| F1200 | 00874970    | Fuse                   | 1     |      | content of A1                                     |
| F1300 | 00874970    | Fuse                   | 1     |      | content of A1                                     |
| K02   | 00965060    | Solenoid switch        | 1     |      |   |
| W3a   | 03020300    | wiring harness W3      | 1     |      | til appr.2019-12                                  |
| W3b   | 03022810    | wiring harness W3      |       |      | from appr.2020-01                                 |
| W10   | 03020410    | wiring harness W10     | 1     |      |   |
| W30   | 03020280    | wiring harness W30     | 1     |      |   |
| WS3   | 03020430    | cable loom WS3         | 1     |      |   |
| WS8   | 03020290    | cable loom WS8         | 1     |      |   |
| WS10  | 03020420    | cable loom WS10        | 1     |      |   |

Electric plate without onboard charger (97159404)



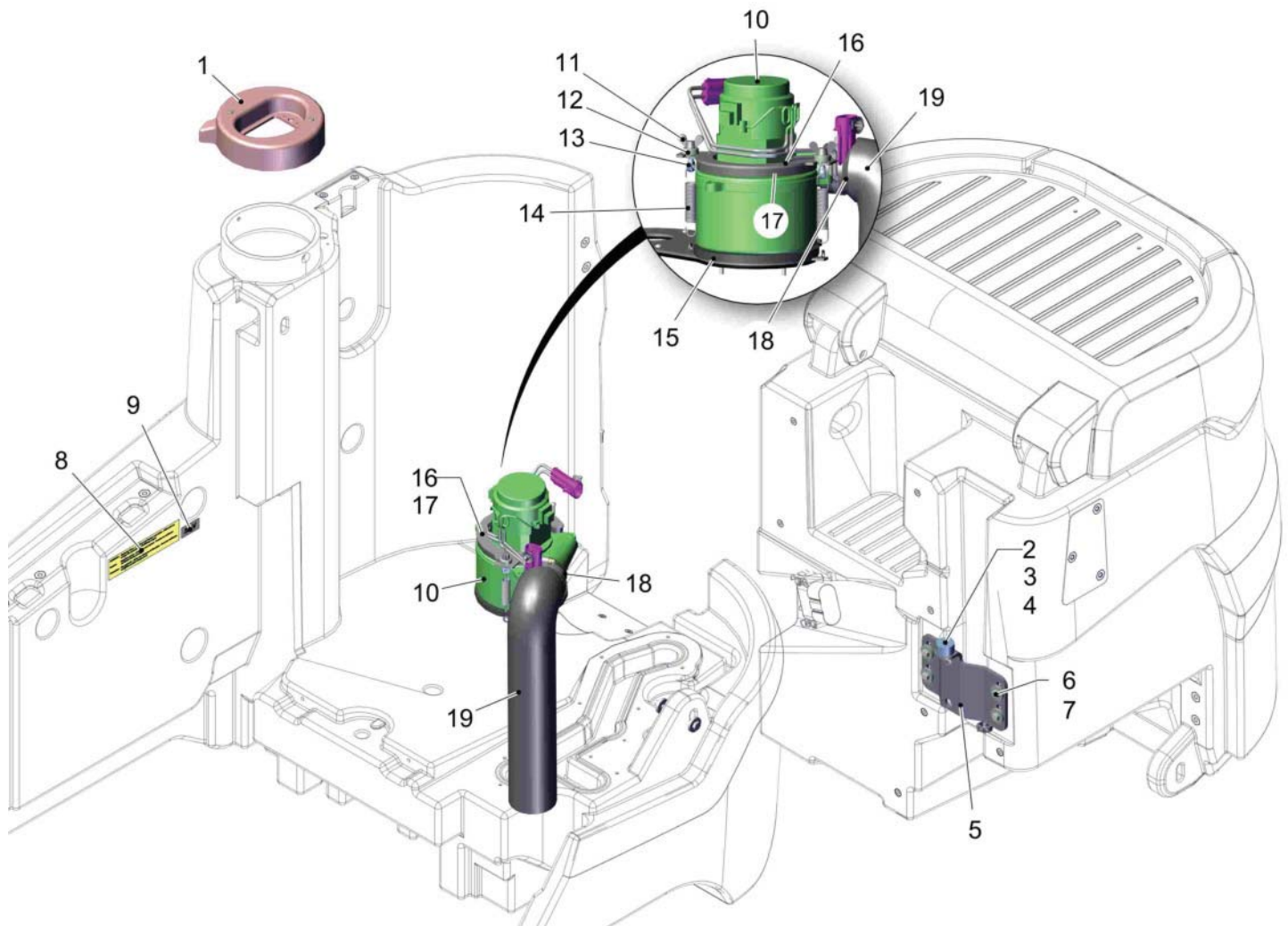
| Item | Part number | Description          | Qty. | Unit | Remarks                      |
|------|-------------|----------------------|------|------|------------------------------|
| 1    | 00733650    | Fuse holder          | 3    |      | content of wiring harness W2 |
| 2    | 00131610    | Lens cap             | 2    |      |                              |
| 3    | 00552300    | Fillister-head screw | 2    |      |                              |
| 4    | 00053830    | Spring washer        | 2    |      |                              |
| 5    | 00053720    | Washer               | 2    |      |                              |
| 6    | 01373230    | retainer             | 1    |      |                              |
| 7    | 01112160    | Screw                | 4    |      |                              |
| 8    | 00053710    | Washer               | 4    |      |                              |
| 9    | 01075720    | Connector red        | 1    |      | content of wiring harness W1 |
| F01  | 01371450    | fuse link 7,5A 80V   | 1    |      | controller                   |
| F19  | 00874950    | Fuse                 | 1    |      | horn                         |
| K01  | 01371500    | solenoid switch      | 1    |      |                              |
| W1   | 03021550    | wiring harness W1    | 1    |      |                              |
| W2   | 03020320    | wiring harness W2    | 1    |      |                              |
| WS2  | 03020510    | cable loom WS2       | 1    |      |                              |
| WS4  | 03020400    | cable loom WS4       | 1    |      |                              |

Electric plate without 4-wheel drive (97141873)



| Item | Part number | Description    | Qty. | Unit | Remarks                    |
|------|-------------|----------------|------|------|----------------------------|
| 1    | 00152850    | Drain plug     | 1    |      |                            |
| WS6  | 03020460    | cable loom WS6 | 1    |      | release single wheel drive |

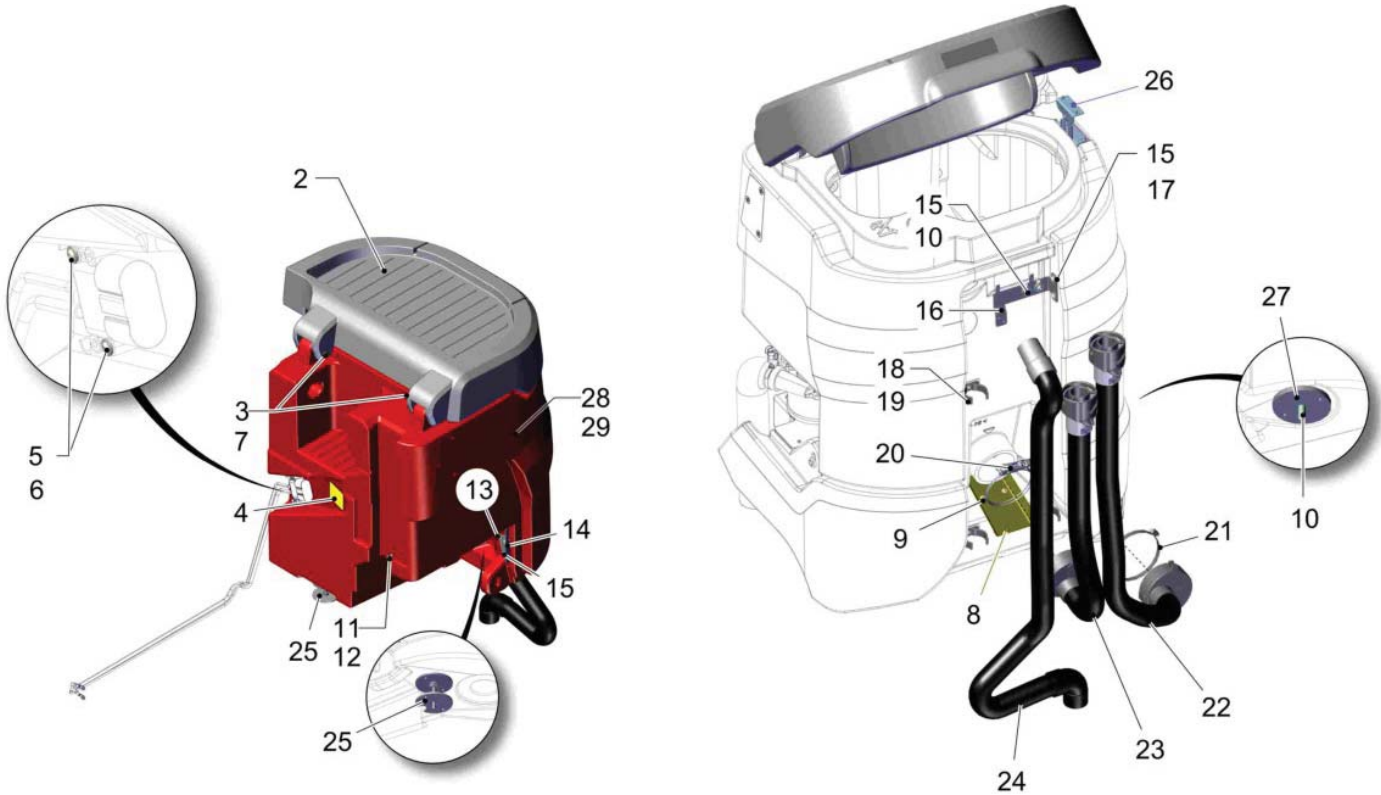
Tank group without tanks (97162747)





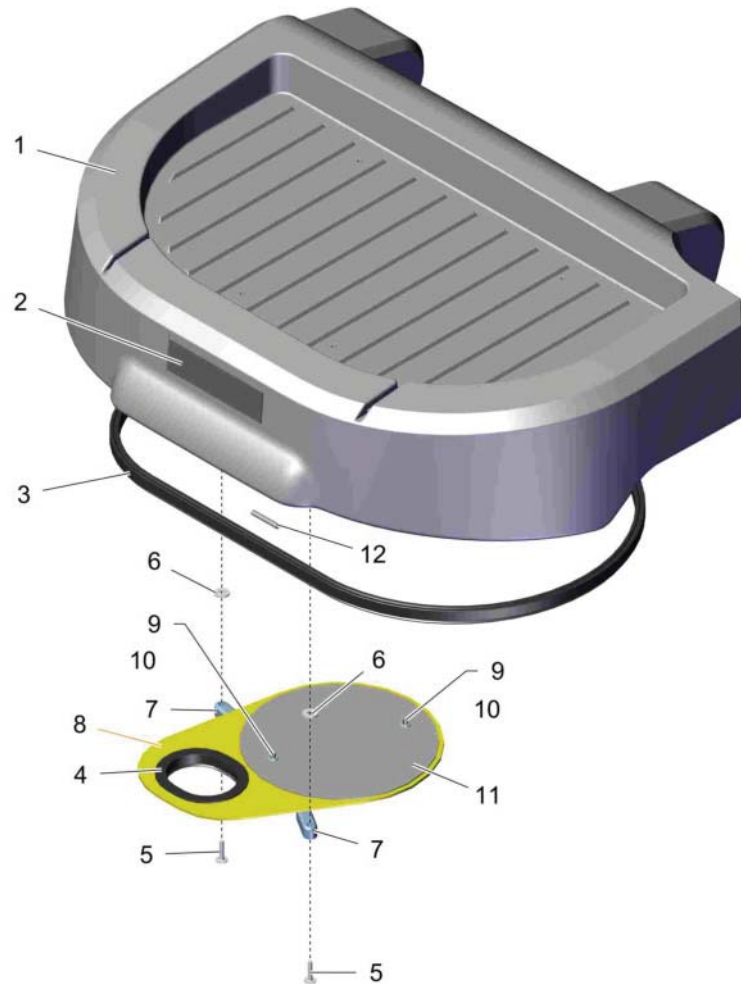
| Item | Part number | Description           | Qty. | Unit | Remarks |
|------|-------------|-----------------------|------|------|---------|
| 1    | 01372190    | cover                 | 1    |      |         |
| 2    | 00733560    | Rubber-metal buffer   | 1    |      |         |
| 3    | 00053080    | Hexagon screw         | 1    |      |         |
| 4    | 00740080    | Washer                | 1    |      |         |
| 5    | 01373070    | seat bearing          | 1    |      |         |
| 6    | 00053090    | Hexagon screw         | 4    |      |         |
| 7    | 00047990    | Disk wheel            | 8    |      |         |
| 8    | 01174740    | Decal explosive gazes | 1    |      |         |
| 9    | 01371680    | decal 36 V            | 1    |      |         |
| 10   | 01372140    | suction turbine       | 1    |      |         |
| 10   | 01381950    | carbon brush          | 2    |      |         |
| 11   | 00054020    | Wing nut              | 2    |      |         |
| 12   | 00903210    | Knurled nut           | 2    |      |         |
| 13   | 00508770    | Eye bolt              | 2    |      |         |
| 14   | 01380070    | tension spring        | 2    |      |         |
| 15   | 01371800    | sealing ring          | 1    |      |         |
| 16   | 01372880    | clamping sheet metal  | 1    |      |         |
| 17   | 01071550    | Seal                  | 1    |      |         |
| 18   | 00732130    | Hose clamp            | 1    |      |         |
| 19   | 00471570    | Hose                  | 1    |      |         |

Foul water tank red (97162721-97162739\_PB\_1)



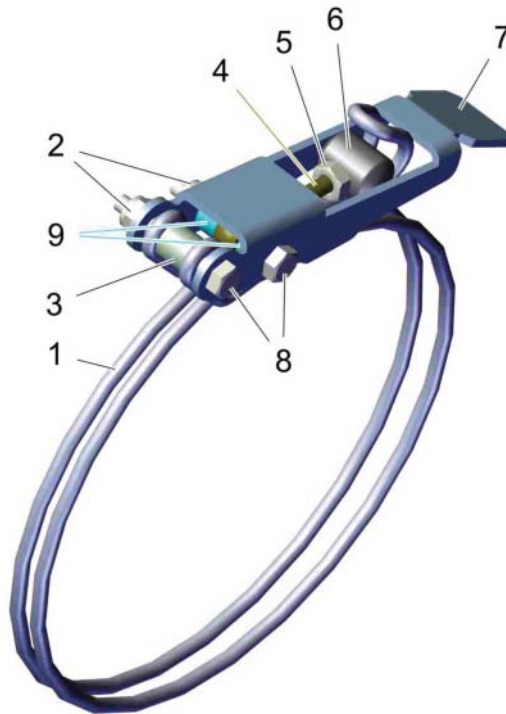
| Item | Part number   | Description                                       | Qty. | Unit | Remarks        |
|------|---------------|---|------|------|----------------|
| 2    | 97138275-B_27 | Cover   | 1    |      |                |
| 3    | 01372940      | cover axle  | 2    |      |                |
| 4    | ---           | Spare part on request                             | 1    |      | 17268541 decal |
| 5    | 01110780      | Lens flange screw                                 | 2    |      |                |
| 6    | 00053730      | Washer  | 2    |      |                |
| 7    | 01136440      | Sealing plug                                      | 2    |      |                |
| 8    | 01373450      | dirt chute  | 1    |      |                |
| 9    | 01072520      | Lens flange screw                                 | 6    |      |                |
| 10   | 01372150      | bolt  | 1    |      |                |
| 11   | 01370250      | retainer  | 1    |      |                |
| 12   | 01370240      | mounting feet                                     | 1    |      |                |
| 13   | 01373560      | cable support                                     | 1    |      |                |
| 14   | 01373420      | hinge sheet metal                                 | 1    |      |                |
| 15   | 01006820      | Lens flange screw                                 | 6    |      |                |
| 16   | 01373640      | connecting angle                                  | 1    |      |                |
| 17   | 00042900      | Washer  | 2    |      |                |
| 18   | 01375310      | clip  | 3    |      |                |
| 19   | 01000850      | Lens flange screw                                 | 3    |      |                |
| 20   | 97146237      | Clamping piece                                    | 1    |      |                |
| 21   | 01014640      | Hose clamp  | 1    |      |                |
| 22   | 01372360      | Solution hose                                     | 1    |      |                |
| 23   | 01372410      | Recovery hose                                     | 1    |      |                |
| 24   | 01371890      | suction hose                                      | 1    |      |                |
| 25   | 97149587      | Height adjustment                                 | 1    |      |                |
| 26   | 97159743      | Cover's put-up hinge                              | 1    |      |                |
| 26   | 97139414      | Cover's put-up hinge                              | 1    |      |                |
| 27   | 01372920      | plate   | 4    |      |                |
| 28   | 01377880      | foul water tank red B175 (01377880)               | 1    |      |                |
| 29   | 01377970      | foul water tank red antibacterial B175 (01377970) | 1    |      |                |

**Cover (97138275-B\_27)**



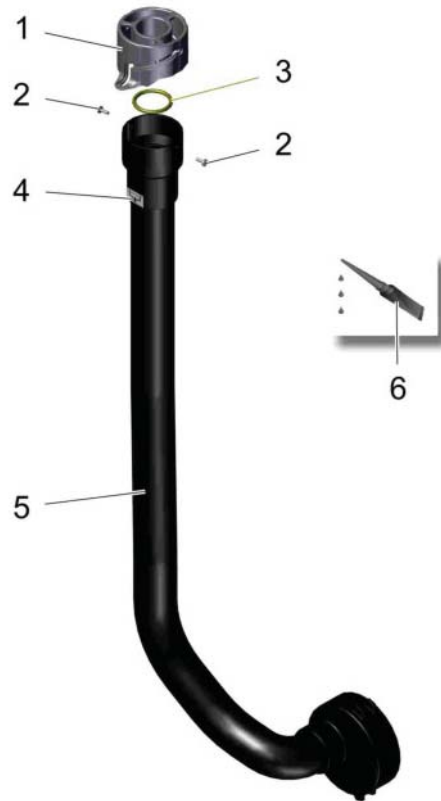
| Item | Part number | Description       | Qty.  | Unit | Remarks |
|------|-------------|-------------------|-------|------|---------|
| 1    | 03019490    | cover             | 1     |      |         |
| 2    | 03021580    | decal POWERBOSS   | 1     |      |         |
| 3    | 01071770    | Sealing profile   | 1,780 |      |         |
| 4    | 00681570    | Edge protection   | 0,310 |      |         |
| 5    | 01082530    | Lens flange screw | 2     |      |         |
| 6    | 00854210    | Washer            | 2     |      |         |
| 7    | 00968190    | Toggle            | 2     |      |         |
| 8    | 01376490    | filter carrier    | 1     |      |         |
| 9    | 01076740    | Rivet             | 2     |      |         |
| 10   | 00102150    | Washer            | 2     |      |         |
| 11   | 01375490    | strainer          | 1     |      |         |
| 12   | 01090200    | Hose              | 0,040 |      |         |

Clamping piece (97146237)



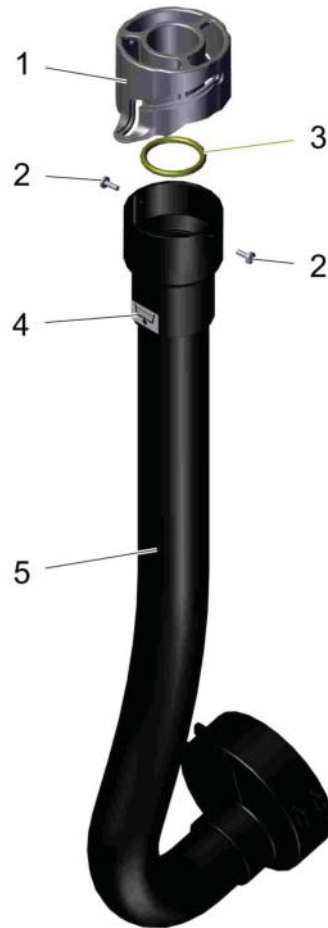
| Item | Part number | Description          | Qty. | Unit | Remarks |
|------|-------------|----------------------|------|------|---------|
| 1    | 01371580    | clamping piece       | 1    |      |         |
| 2    | 01017660    | Hex. Nut             | 2    |      |         |
| 3    | 01372440    | bushing              | 1    |      |         |
| 4    | 01077500    | Eye bolt             | 1    |      |         |
| 5    | 00902250    | Hex. Nut             | 1    |      |         |
| 6    | 01372380    | threaded pin         | 1    |      |         |
| 7    | 01372430    | clamping piece lever | 1    |      |         |
| 8    | 01079890    | Hexagon screw        | 2    |      |         |
| 9    | 01372390    | bushing              | 2    |      |         |

**Solution hose (01372360)**



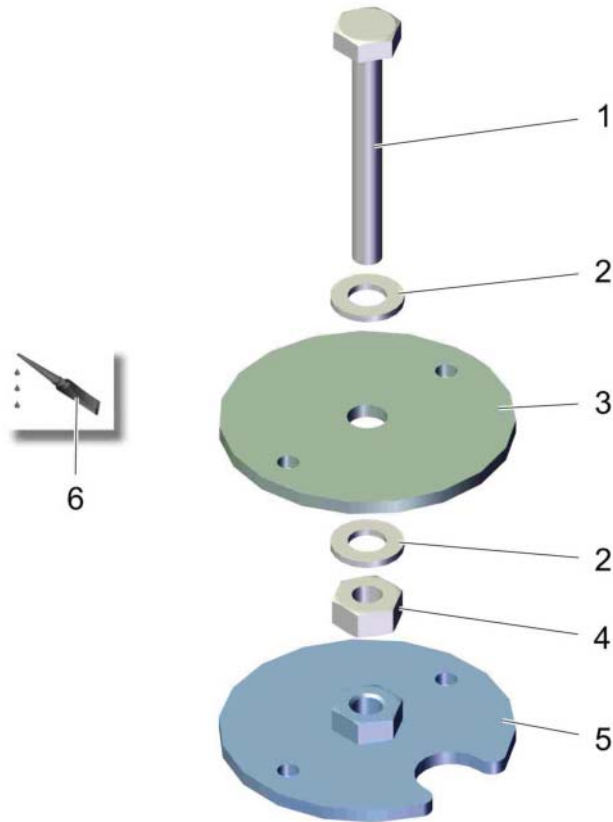
| Item | Part number | Description              | Qty. | Unit | Remarks                                       |
|------|-------------|--------------------------|------|------|---|
| 1    | 00142230    | Cover                    | 1    |      |   |
| 2    | 00108650    | Fillister-head screw     | 2    |      |   |
| 3    | 01177960    | O-Ring                   | 1    |      |   |
| 4    | 01170150    | Decal SOLUTION TANK      | 1    |      |   |
| 5    | -           | Not supplied alone!      |      |      | If needed order hose compl. 01372360, please! |
| 6    | 03009260    | LOCTIDE sealing compound | 1    |      |   |

Recovery hose (01372410)



| Item | Part number | Description           | Qty. | Unit | Remarks                                       |
|------|-------------|-----------------------|------|------|---|
| 1    | 00142230    | Cover                 | 1    |      |   |
| 2    | 00108650    | Phillister-head screw | 2    |      |   |
| 3    | 01177960    | O-Ring                | 1    |      |   |
| 4    | 01170060    | Decal FOUL WATER      | 1    |      |   |
| 5    | -           | Not supplied alone!   |      |      | If needed order hose compl. 01372410, please! |

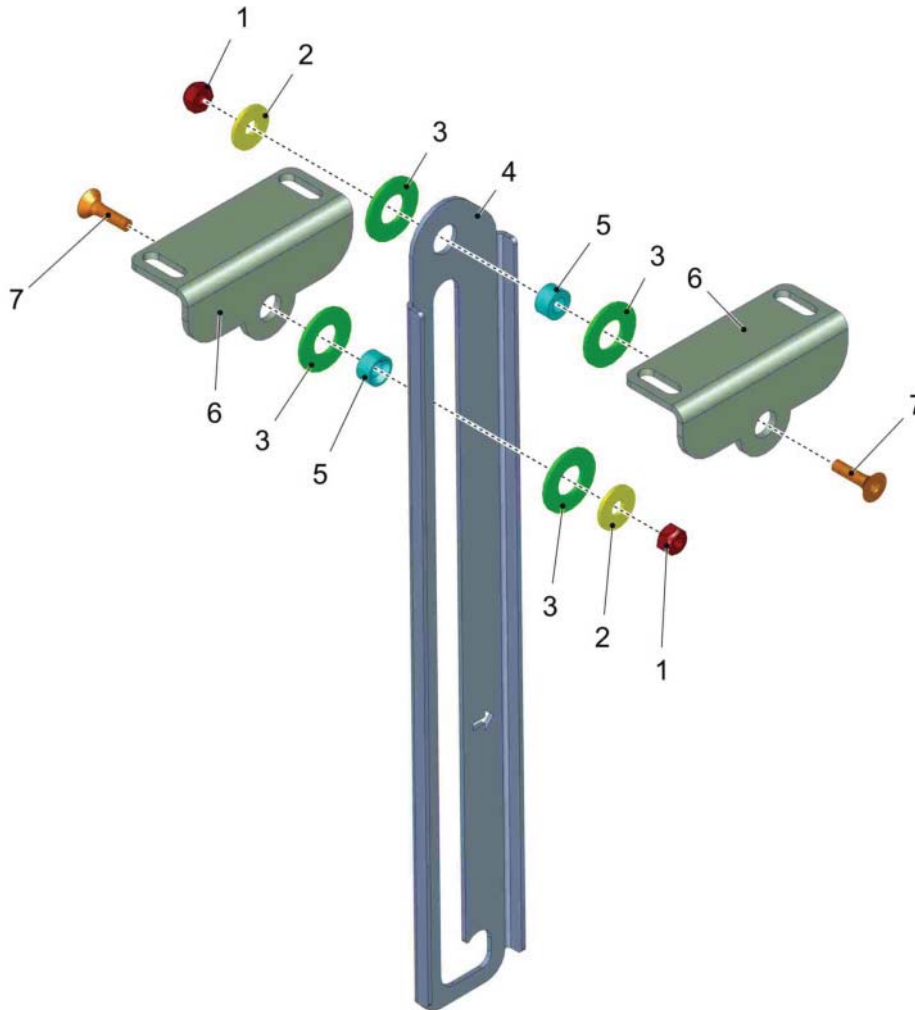
**Height adjustment (97149587)**



| Item | Part number | Description              | Qty. | Unit | Remarks        |
|------|-------------|--------------------------|------|------|----------------|
| 1    | 00102270    | Hex.bolt                 | 2    |      |                |
| 2    | 00053760    | Washer                   | 4    |      |                |
| 3    | 01372920    | plate                    | 2    |      |                |
| 4    | 00053360    | Hex. Nut                 | 2    |      |                |
| 5    | ---         | Spare part on request    | 2    |      | 96154695 plate |
| 6    | 03009260    | LOCTIDE sealing compound | 1    |      |                |

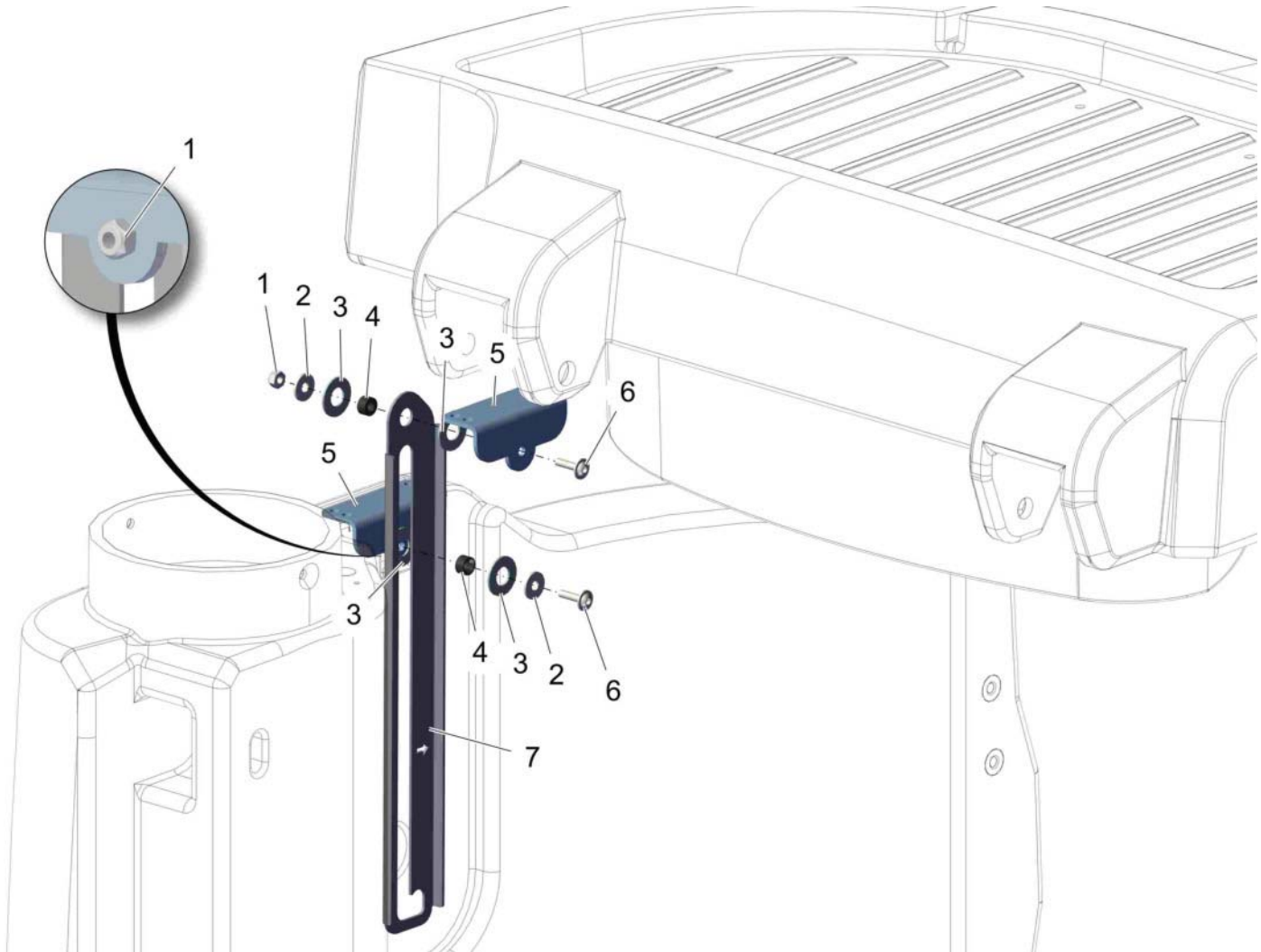


Cover's put-up hinge (97159743)



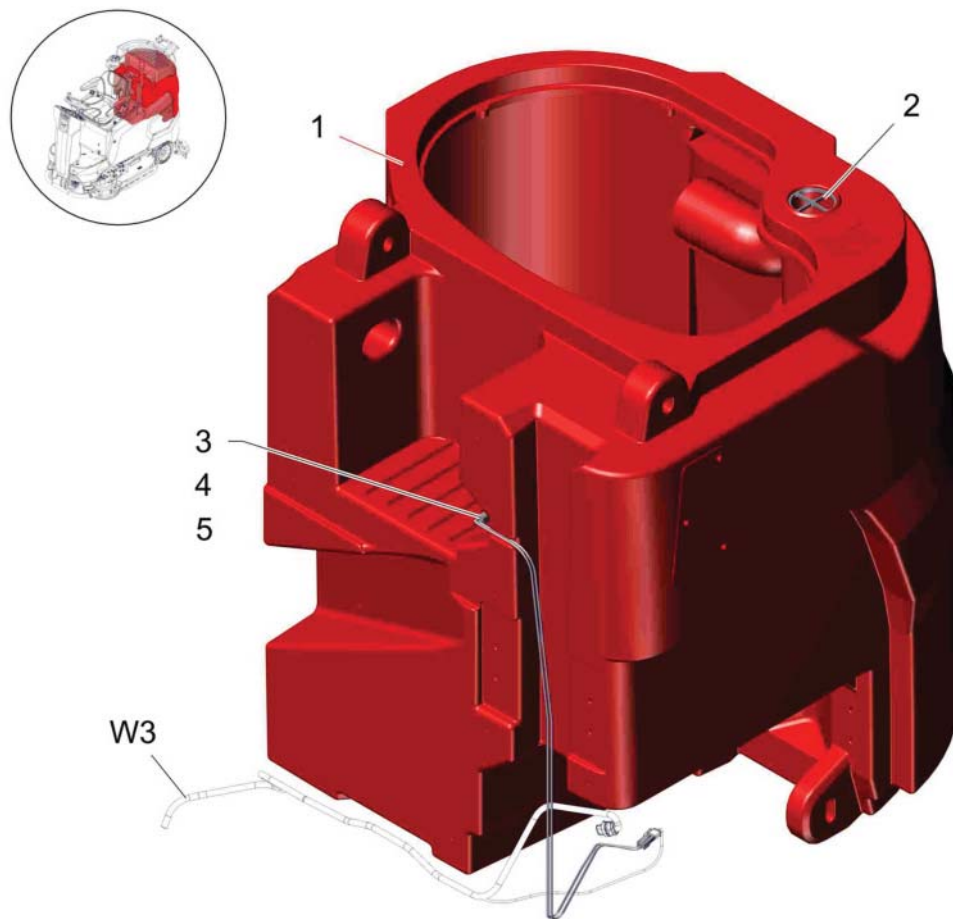
| Item | Part number | Description           | Qty. | Unit | Remarks                       |
|------|-------------|-----------------------|------|------|-------------------------------|
| 1    | 00102140    | Hex. Nut              | 2    |      |                               |
| 2    | 00854210    | Washer                | 2    |      |                               |
| 3    | 01102770    | Approach disk         | 4    |      |                               |
| 4    | 01372950    | cover put-up hinge    | 1    |      |                               |
| 5    | 01279800    | bushing               | 2    |      |                               |
| 6    | ---         | Spare part on request | 2    |      | 92061068 put-up hinge bearing |
| 7    | 00054720    | Countersunk screw     | 2    |      |                               |

Cover's put-up hinge (97139414)



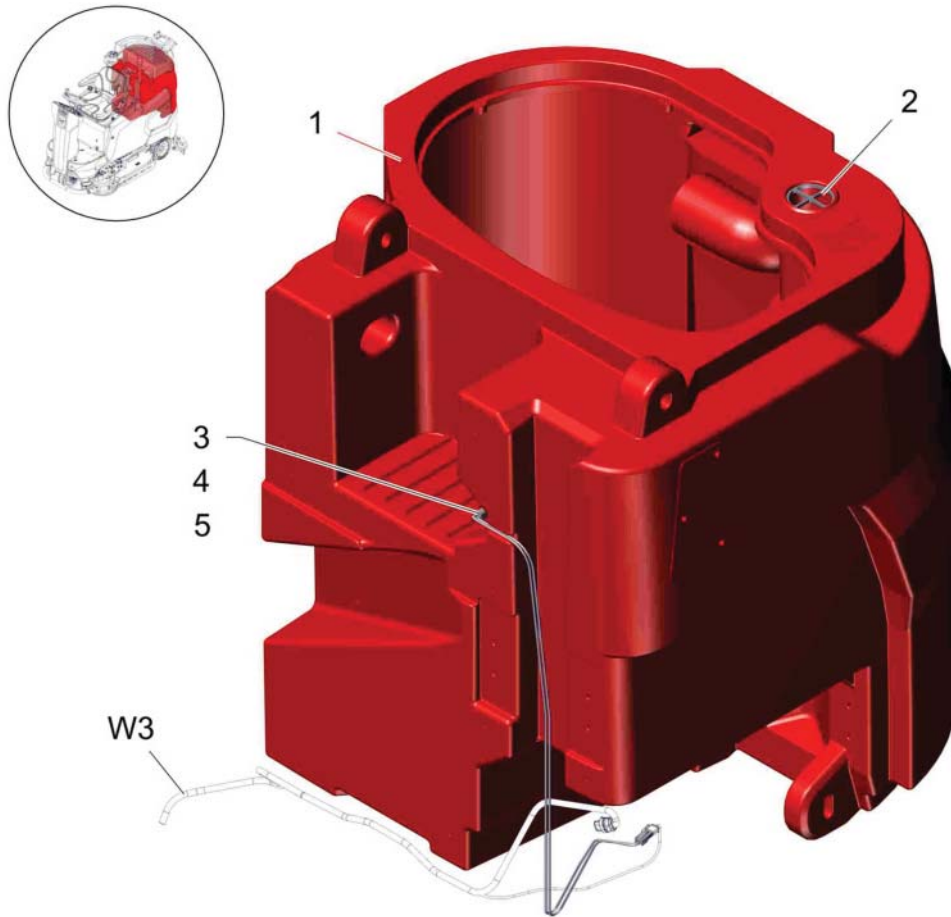
| <b>Item</b> | <b>Part number</b> | <b>Description</b>   | <b>Qty.</b> | <b>Unit</b> | <b>Remarks</b> |
|-------------|--------------------|----------------------|-------------|-------------|----------------|
| 1           | 00102140           | Hex. Nut             | 2           |             |                |
| 2           | 00854210           | Washer               | 2           |             |                |
| 3           | 01102770           | Approach disk        | 4           |             |                |
| 4           | 01279800           | bushing              | 2           |             |                |
| 5           | 01372960           | put-up hinge bearing | 2           |             |                |
| 6           | 01174700           | Lens flange screw    | 2           |             |                |
| 7           | 01372950           | cover put-up hinge   | 1           |             |                |

**Foul water tank red B175 (01377880)**



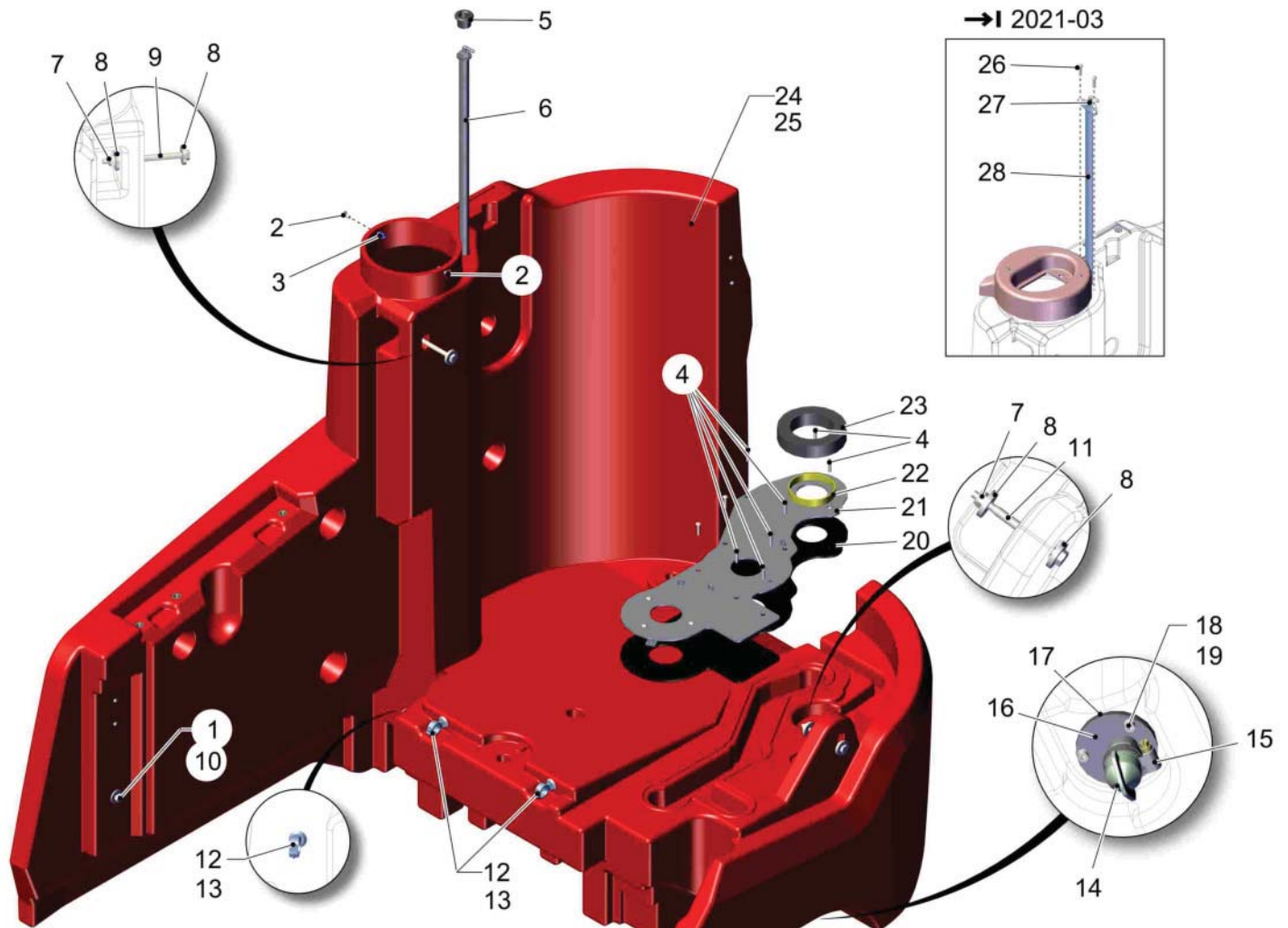
| Item | Part number | Description                        | Qty. | Unit | Remarks  |
|------|-------------|------------------------------------|------|------|--|
| 1    | -           | Not supplied alone!                |      |      | If needed order the complete foul water tank 01377880, please! |
| 2    | 01373290    | intake protective disk             | 1    |      |  |
| 3    | 00959650    | Float switch                       | 1    |      |  |
| 4    | 01372420    | pin housing (2 pin)                | 1    |      |  |
| 5    | 01372370    | tab-cont. Mini-Fit Jr. (0,25-1,00) | 2    |      |  |

Foul water tank red antibacterial B175 (01377970)



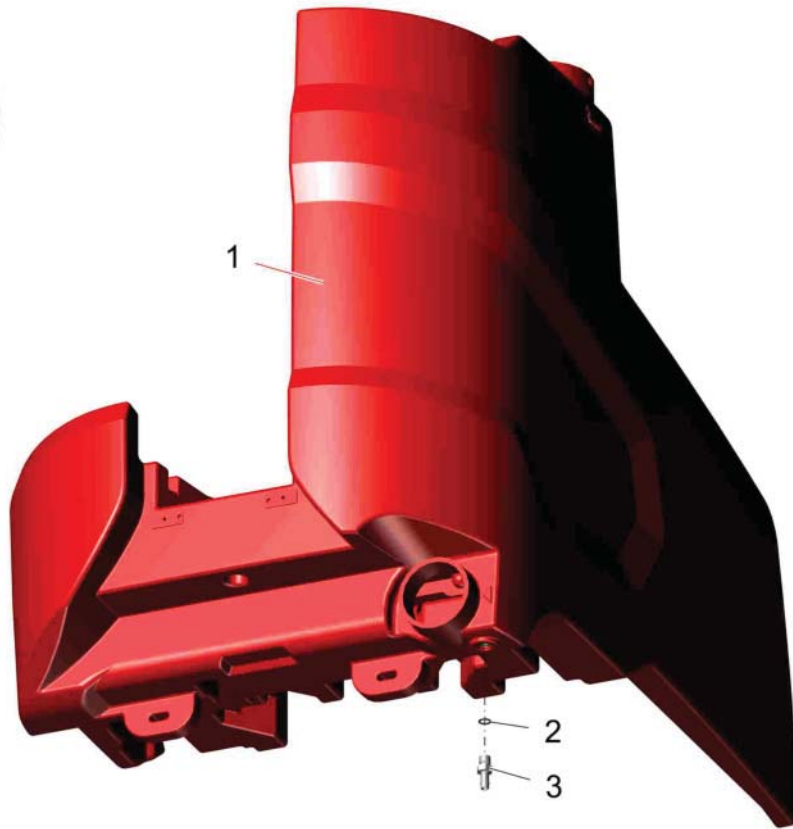
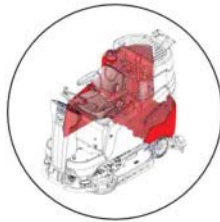
| Item | Part number | Description                        | Qty. | Unit | Remarks  |
|------|-------------|------------------------------------|------|------|--|
| 1    | -           | Not supplied alone!                |      |      | If needed order the complete foul water tank 01377970, please! |
| 2    | 01373290    | intake protective disk             | 1    |      |  |
| 3    | 00959650    | Float switch                       | 1    |      |  |
| 4    | 01372420    | pin housing (2 pin)                | 1    |      |  |
| 5    | 01372370    | tab-cont. Mini-Fit Jr. (0,25-1,00) | 2    |      |  |

Fresh water tank red (97162721-97162739\_2)



| Item | Part number | Description                        | Qty. | Unit | Remarks                          |
|------|-------------|------------------------------------|------|------|----------------------------------|
| 1    | 00553690    | Hex.bolt                           | 1    |      |                                  |
| 2    | 00028470    | Countersunk screw                  | 2    |      |                                  |
| 3    | 01372790    | bolt                               | 2    |      |                                  |
| 4    | 01078160    | Screw                              | 14   |      |                                  |
| 5    | ---         | Spare part on request              | 1    |      | 92056159 cable sleeve            |
| 6    | ---         | Spare part on request              | 1    |      | 96164934 probe                   |
| 7    | 00051510    | Hex. Nut                           | 2    |      |                                  |
| 8    | 00047990    | Disk wheel                         | 2    |      |                                  |
| 9    | 00053150    | Hex.bolt                           | 1    |      |                                  |
| 10   | 00042900    | Washer                             | 1    |      |                                  |
| 11   | 00053140    | Hex.bolt                           | 1    |      |                                  |
| 12   | 01370250    | retainer                           | 3    |      |                                  |
| 13   | 01370240    | mounting feet                      | 3    |      |                                  |
| 14   | 00054560    | Valve                              | 1    |      |                                  |
| 15   | 00733160    | Hose clamp                         | 1    |      |                                  |
| 16   | 01373830    | flowing off                        | 1    |      |                                  |
| 17   | 01371920    | gasket                             | 1    |      |                                  |
| 18   | 01178830    | Socket head screw                  | 3    |      |                                  |
| 19   | 00902270    | Washer                             | 3    |      |                                  |
| 20   | 01371850    | gasket                             | 1    |      |                                  |
| 21   | 01373790    | cover plate                        | 1    |      |                                  |
| 22   | 01371770    | tubular support                    | 1    |      |                                  |
| 23   | 01371740    | gasket                             | 1    |      |                                  |
| 24   | 01374890    | fresh water tank red               | 1    |      |                                  |
| 25   | 01374930    | fresh water tank red Antibacterial | 1    |      |                                  |
| 26   | 01078160    | Screw                              | 2    |      | til appr. 2021-03                |
| 27   | 01372670    | screwed socket                     | 1    |      | til appr. 2021-03                |
| 28   | ---         | Spare part on request              | 1    |      | 96163829 pipe; til appr. 2021-03 |

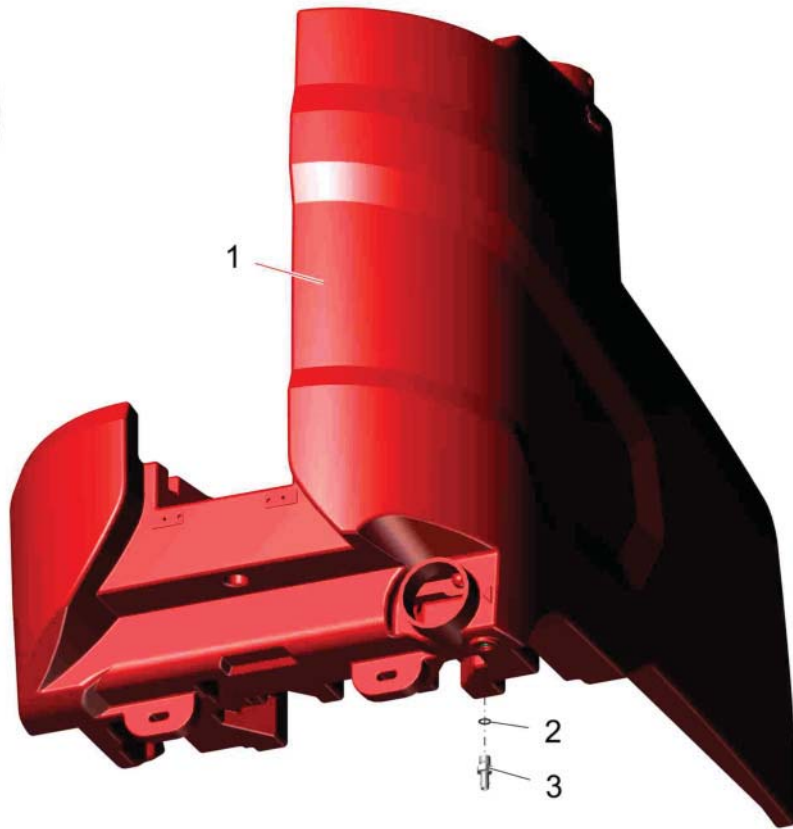
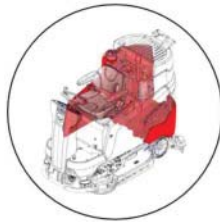
**Fresh water tank red (01374890)**



| Item | Part number | Description          | Qty. | Unit | Remarks   |
|------|-------------|----------------------|------|------|---|
| 1    | -           | Not supplied alone!  |      |      | If needed order the complete fresh water tank 01374890, please! |
| 2    | 00057720    | O-ring oil resistant | 1    |      |   |
| 3    | 01072180    | Screwed plug         | 1    |      |   |

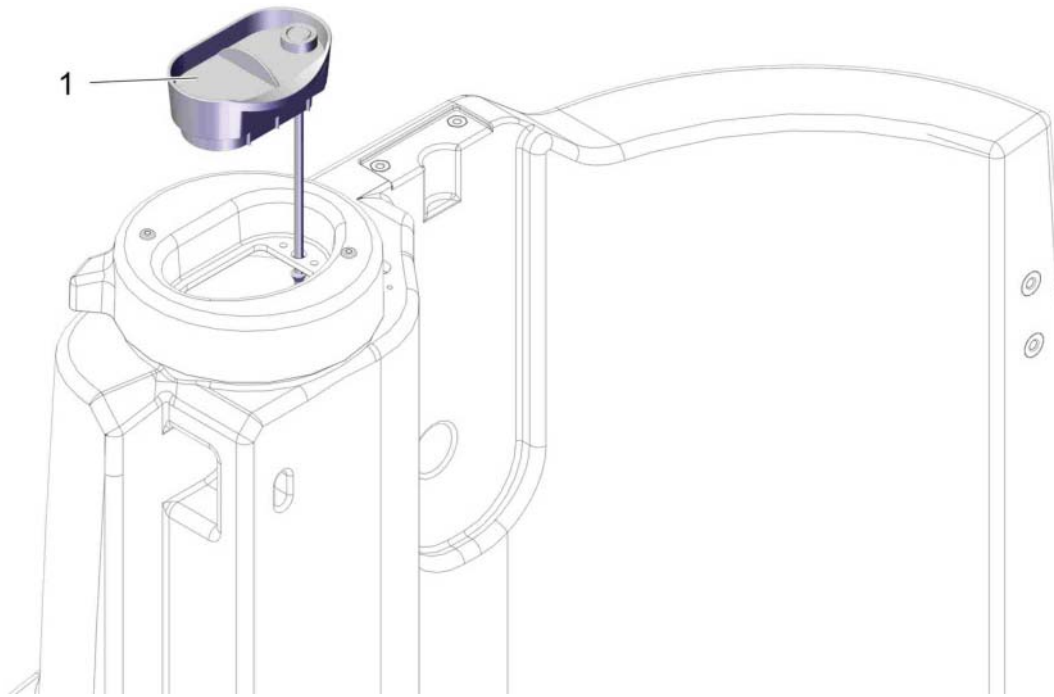


**Fresh water tank red antibacterial (01374930)**



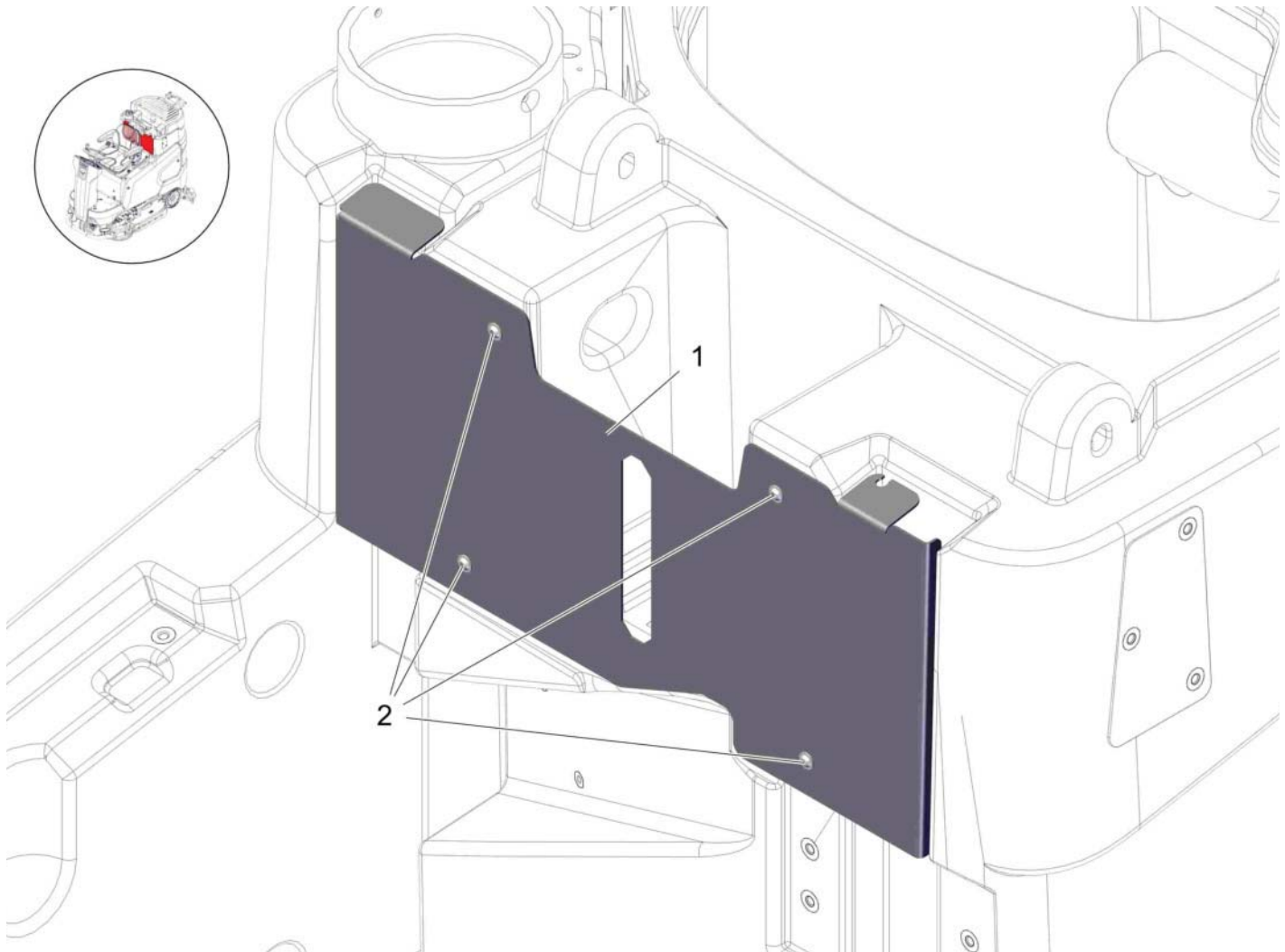
| Item | Part number | Description          | Qty. | Unit | Remarks   |
|------|-------------|----------------------|------|------|---|
| 1    | -           | Not supplied alone!  |      |      | If needed order the complete fresh water tank 01374930, please! |
| 2    | 00057720    | O-ring oil resistant | 1    |      |   |
| 3    | 01072180    | Screwed plug         | 1    |      |   |

**Fresh water cap (variant without automatic filling unit) (97143937)**



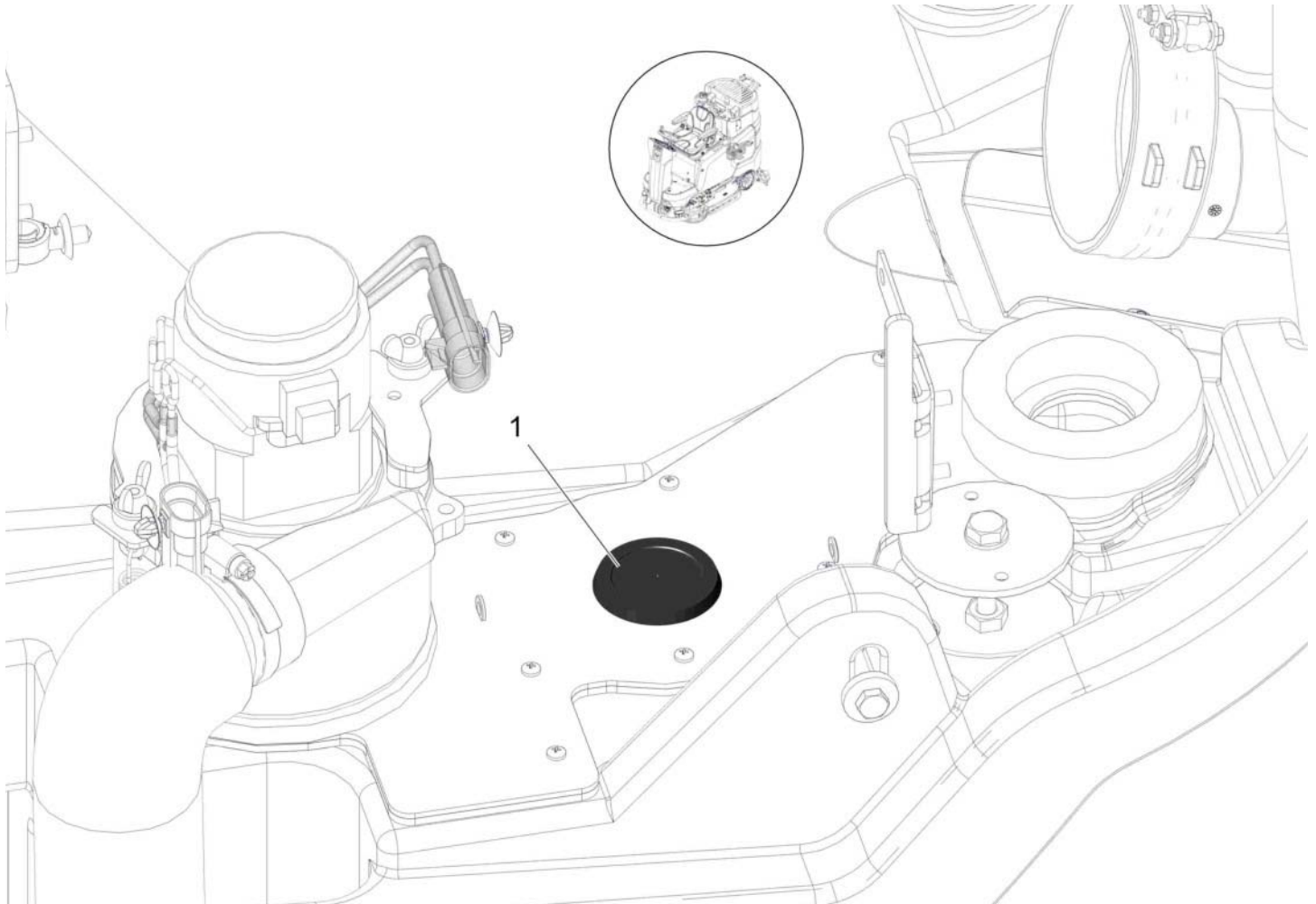
| Item | Part number | Description     | Qty. | Unit | Remarks |
|------|-------------|-----------------|------|------|---------|
| 1    | 01173540    | Fresh water cap | 1    |      |         |

**Cover (variant without driver canopy) (97140727)**



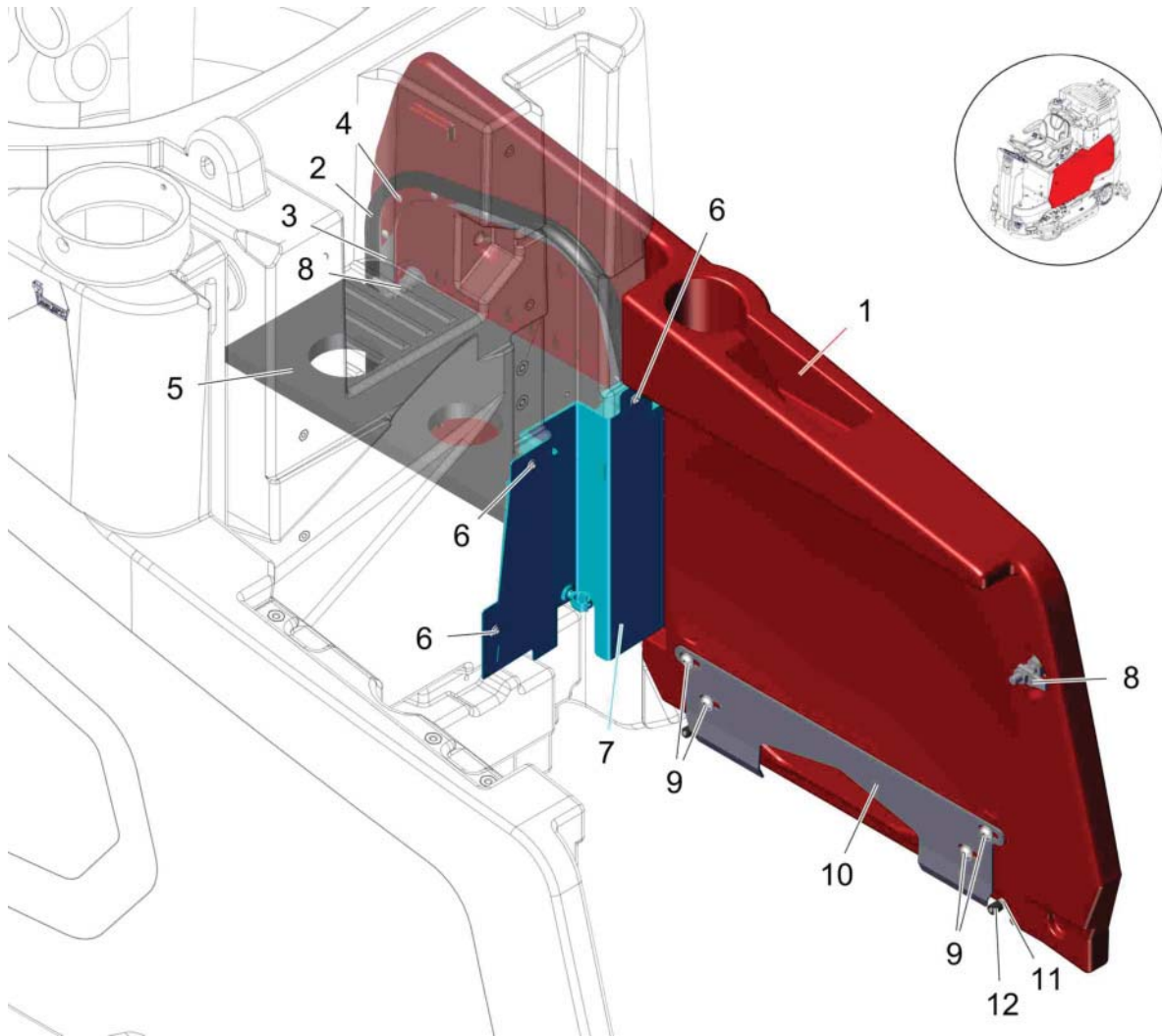
| Item | Part number | Description       | Qty. | Unit | Remarks |
|------|-------------|-------------------|------|------|---------|
| 1    | 01373010    | cover             | 1    |      |         |
| 2    | 01072520    | Lens flange screw | 4    |      |         |

**Sealing plug (variant without second suction turbine) (97140537)**



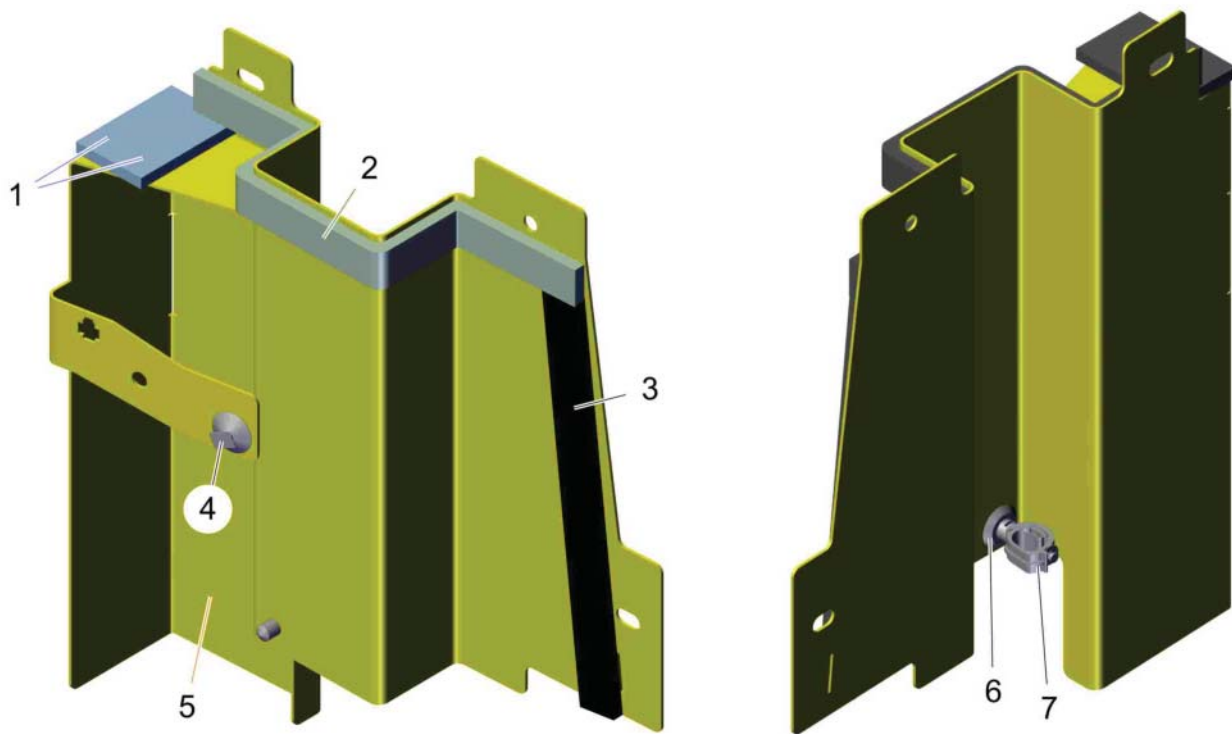
| Item | Part number | Description           | Qty. | Unit | Remarks               |
|------|-------------|-----------------------|------|------|-----------------------|
| 1    | ---         | Spare part on request | 1    |      | 15590201 sealing plug |

Side covering L.H. - separating panel (97140560)



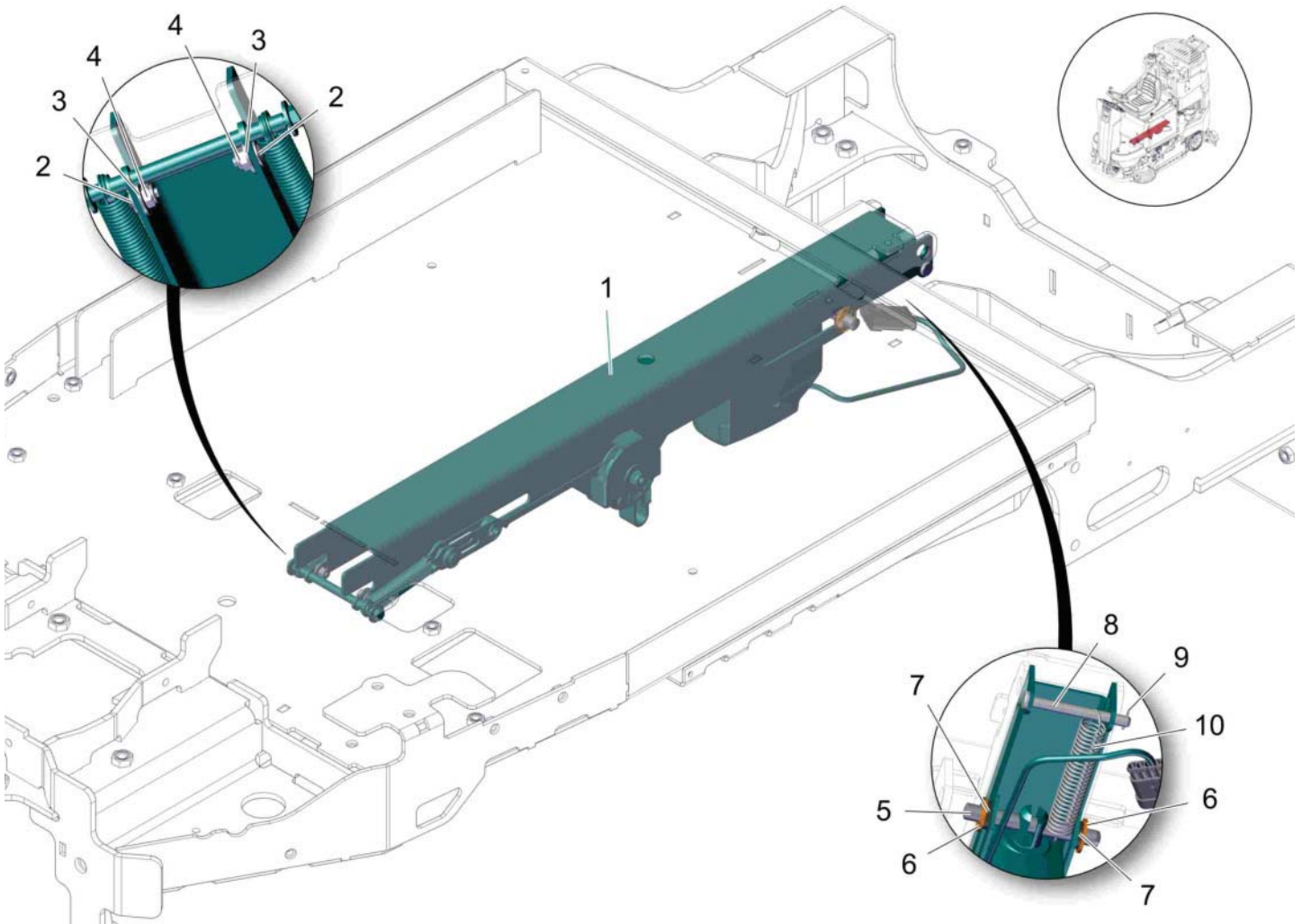
| Item | Part number | Description           | Qty.  | Unit | Remarks                  |
|------|-------------|-----------------------|-------|------|--------------------------|
| 1    | 03019520    | side covering         | 1     |      |                          |
| 2    | ---         | Spare part on request | 0,980 |      | 25583279 sealing profile |
| 3    | 01373470    | holding plate         | 1     |      |                          |
| 4    | 00905520    | Round head screw      | 11    |      |                          |
| 5    | 01371380    | sealing plate         | 1     |      |                          |
| 6    | 01072520    | Lens flange screw     | 3     |      |                          |
| 7    | 97145783    | Separating plate      | 1     |      |                          |
| 8    | 00975120    | Bolt lock             | 2     |      |                          |
| 9    | 01133350    | Lens flange screw     | 4     |      |                          |
| 10   | 01373340    | clamping plate        | 1     |      |                          |
| 11   | 00539730    | Screw                 | 2     |      |                          |
| 12   | 00905570    | Bushing               | 2     |      |                          |

**Separating plate (97145783)**



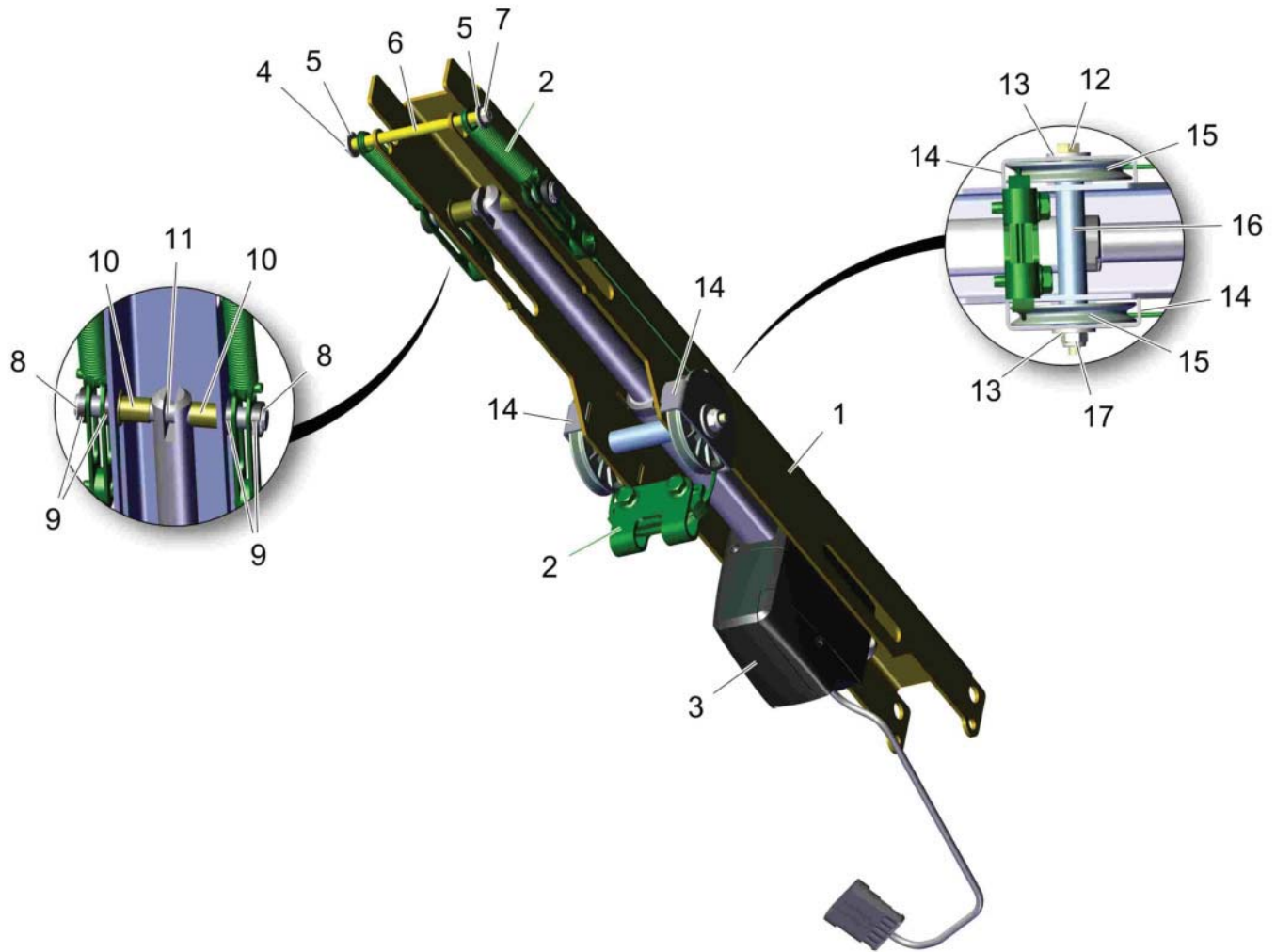
| Item | Part number | Description      | Qty.  | Unit | Remarks |
|------|-------------|------------------|-------|------|---------|
| 1    | 01031000    | Sealing tape     | 0,120 |      |         |
| 2    | 01031000    | Sealing tape     | 0,320 |      |         |
| 3    | 01031000    | Sealing tape     | 0,220 |      |         |
| 4    | 01278080    | Mounting clip    | 1     |      |         |
| 5    | 01372800    | separating plate | 1     |      |         |
| 6    | 01370240    | mounting feet    | 1     |      |         |
| 7    | 01370250    | retainer         | 1     |      |         |

Lifting cylindrical brush head (97144927)



| Item | Part number | Description       | Qty. | Unit | Remarks |
|------|-------------|-------------------|------|------|---------|
| 1    | 97138721    | Lifting           | 1    |      |         |
| 2    | 01000850    | Lens flange screw | 2    |      |         |
| 3    | 00135120    | Washer            | 2    |      |         |
| 4    | 00051520    | Hex. Nut          | 2    |      |         |
| 5    | 01279660    | straight pin      | 1    |      |         |
| 6    | 00706180    | Thrust washer     | 2    |      |         |
| 7    | 01370680    | bushing           | 2    |      |         |
| 8    | 01078220    | Bolt              | 1    |      |         |
| 9    | 00551150    | Cotter pin        | 1    |      |         |
| 10   | 01055930    | Tension spring    | 1    |      |         |

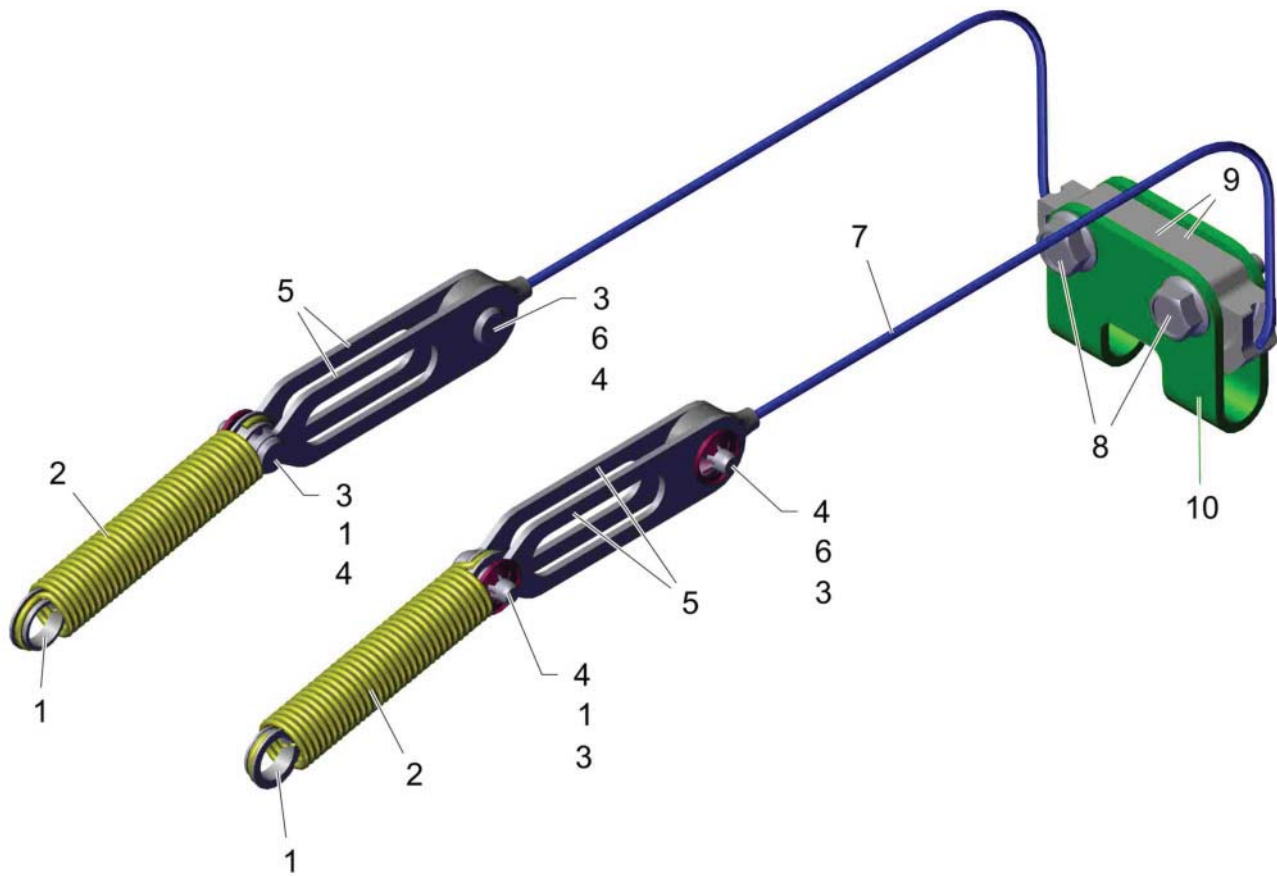
Lifting (97138721)





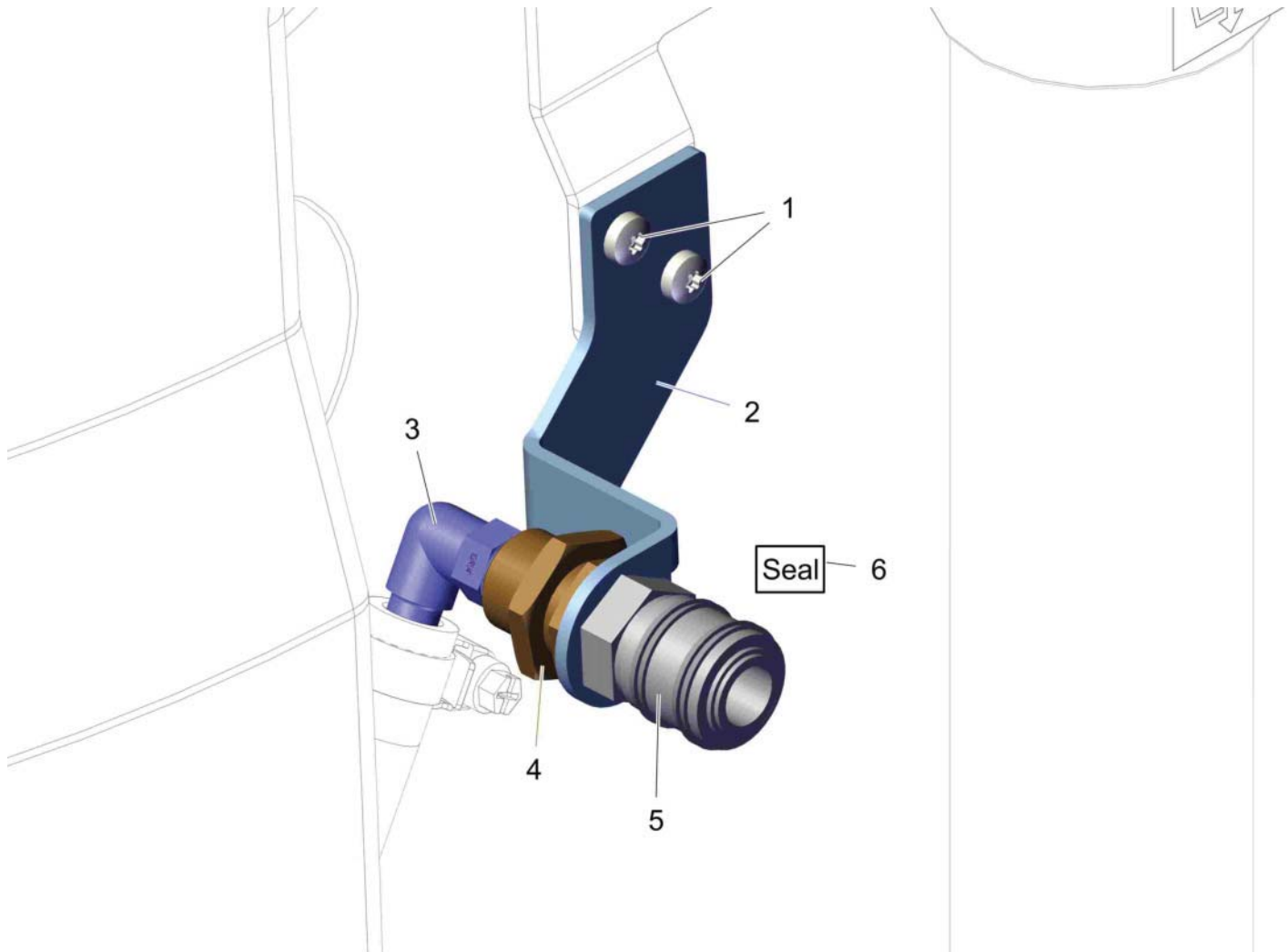
| Item | Part number | Description        | Qty.  | Unit | Remarks |
|------|-------------|--------------------|-------|------|---------|
| 1    | 01372930    | recruitment guide  | 1     |      |         |
| 2    | 97140479    | Rope assembly      | 1     |      |         |
| 3    | 01370110    | lifting element    | 1     |      |         |
| 4    | 01370970    | hexagon srew       | 1     |      |         |
| 5    | 00135120    | Washer             | 2     |      |         |
| 6    | 01015400    | Pipe               | 0,100 |      |         |
| 7    | 00053330    | Hex. Nut           | 1     |      |         |
| 8    | 00072440    | Circlip            | 2     |      |         |
| 9    | 01370680    | bushing            | 4     |      |         |
| 10   | 01072930    | Slide bearing bush | 2     |      |         |
| 11   | 01371000    | bolt               | 1     |      |         |
| 12   | 00053150    | Hex.bolt           | 1     |      |         |
| 13   | 00042900    | Washer             | 2     |      |         |
| 14   | 01370980    | rope assurance     | 2     |      |         |
| 15   | 00521270    | Roller             | 2     |      |         |
| 16   | 01372810    | pipe               | 1     |      |         |
| 17   | 00051510    | Hex. Nut           | 1     |      |         |

Rope assembly (97140479)



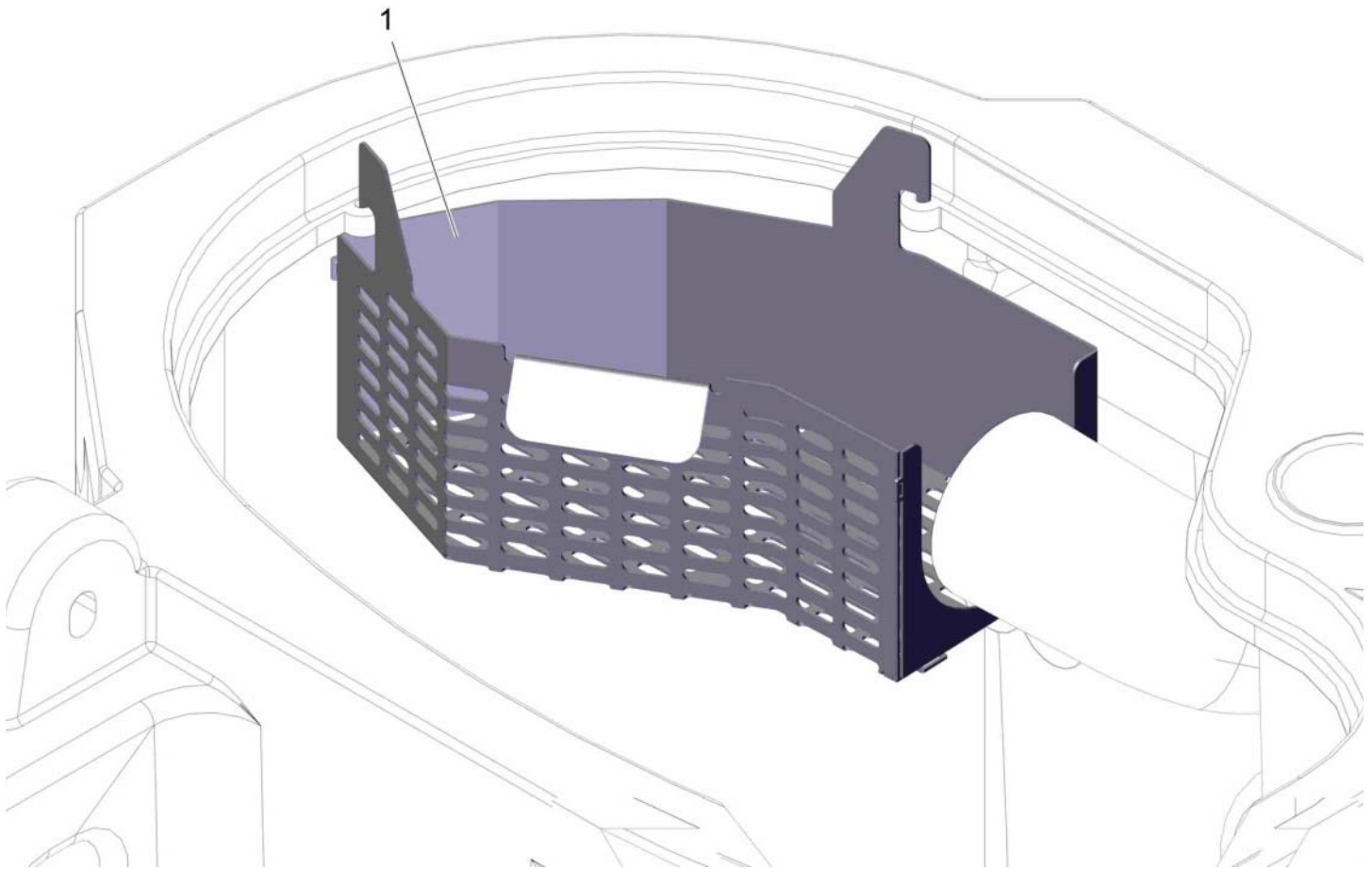
| Item | Part number | Description     | Qty. | Unit | Remarks |
|------|-------------|-----------------|------|------|---------|
| 1    | 00737670    | Slide bearing   | 2    |      |         |
| 2    | 01371090    | tension spring  | 2    |      |         |
| 3    | 00023290    | Thrust washer   | 4    |      |         |
| 4    | 00736570    | Bolt            | 4    |      |         |
| 5    | 01371080    | lug             | 1    |      |         |
| 6    | 00862430    | Bushing         | 2    |      |         |
| 7    | 01371060    | rope            | 1    |      |         |
| 8    | 01371040    | screw           | 2    |      |         |
| 9    | 01371070    | cable guide     | 2    |      |         |
| 10   | 01371050    | roller assembly | 1    |      |         |

**Preliminary parts for spraying tools at tank (97150296)**



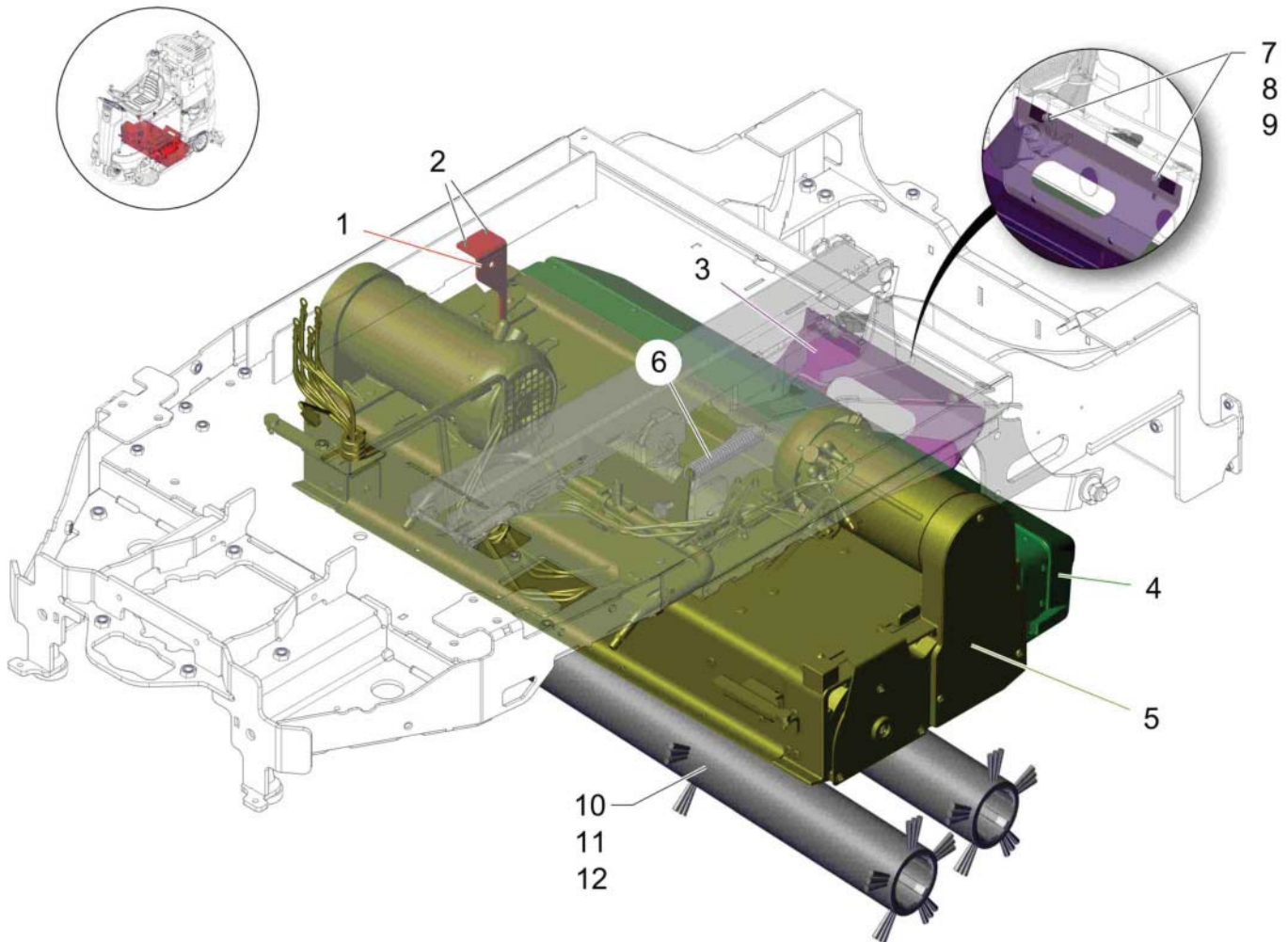
| Item | Part number | Description                   | Qty.  | Unit | Remarks |
|------|-------------|-------------------------------|-------|------|---------|
| 1    | 00959220    | Screw                         | 2     |      |         |
| 2    | 01373100    | connecting angle              | 1     |      |         |
| 3    | 01090430    | Screwed angle fitting         | 1     |      |         |
| 4    | 01016090    | Bulkhead union                | 1     |      |         |
| 5    | 00552590    | Quick hitch                   | 1     |      |         |
| 6    | 03007630    | Sealing band (spool with 12m) | 0,070 |      |         |

**Rough mud strainer (97143929)**



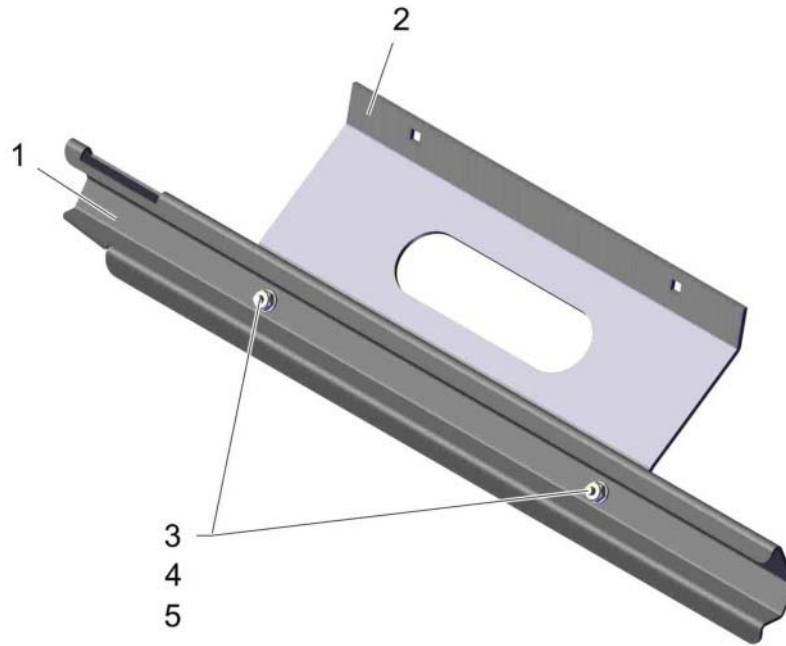
| Item | Part number | Description           | Qty. | Unit | Remarks                     |
|------|-------------|-----------------------|------|------|-----------------------------|
| 1    | ---         | Spare part on request | 1    |      | 96162896 rough mud strainer |

Cylindrical brush head 850 (97144182)



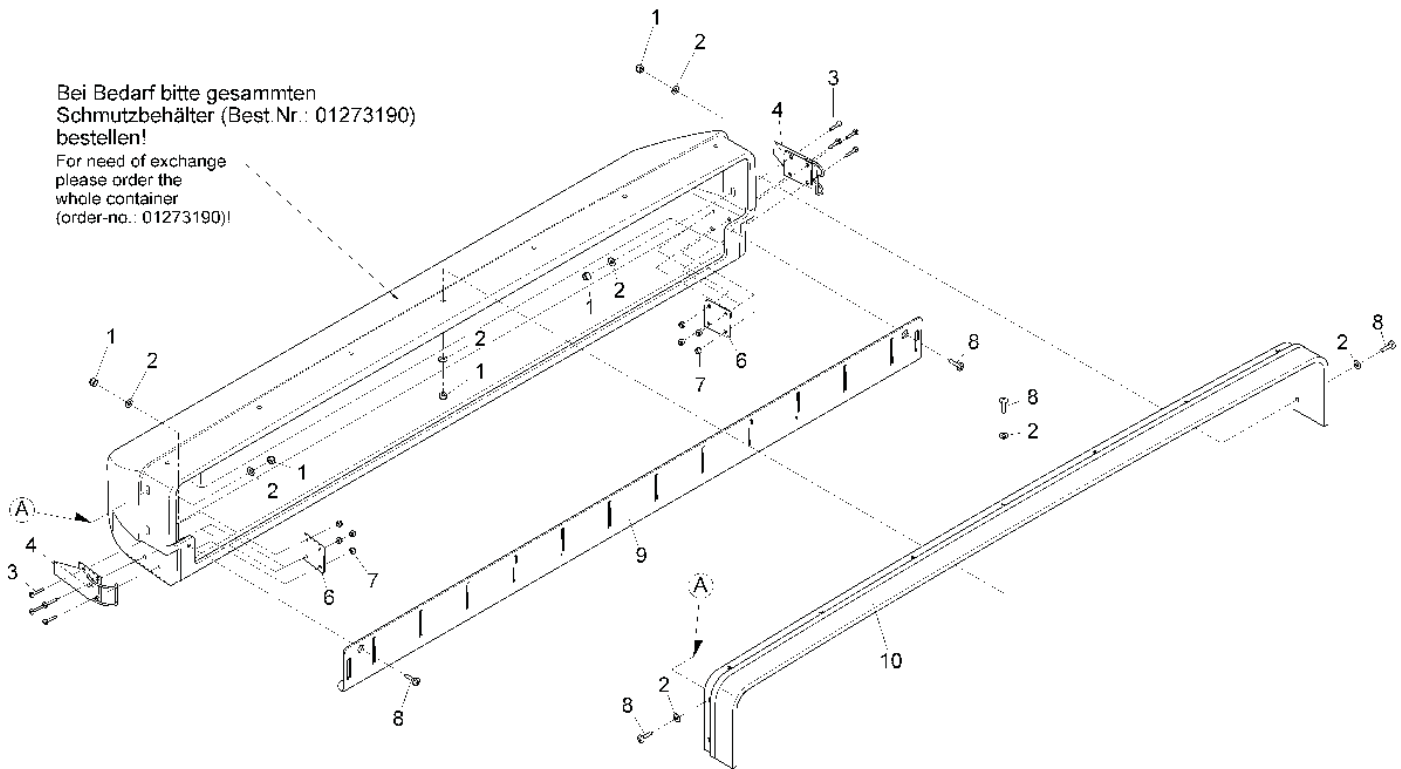
| Item | Part number | Description                      | Qty. | Unit | Remarks   |
|------|-------------|----------------------------------|------|------|---|
| 1    | 01373440    | indicator                        | 1    |      |   |
| 2    | 00959220    | Screw                            | 2    |      |   |
| 3    | 97147946    | Retainer dirt container          | 1    |      |   |
| 4    | 01273190    | Dirt container                   | 1    |      |   |
| 5    | 97141709    | Cylindrical brush head           | 1    |      |   |
| 6    | 01055930    | Tension spring                   | 1    |      |   |
| 7    | 00076540    | Round head screw                 | 2    |      |   |
| 8    | 00053730    | Washer                           | 2    |      |   |
| 9    | 00051520    | Hex. Nut                         | 2    |      |   |
| 10   | 99768100    | set of cyl. brushes 850 PA6-0,7  | 1    |      | Degree of soiling light to medium, PA 6 - 0,7                                 |
| 11   | 99768200    | set of cyl. brushes 850 SIC K500 | 1    |      | Degree of soiling medium to heavy, structured flooring, SIC PA 6. 12, Kom 500 |
| 12   | 99768300    | set of cyl. brushes 850 SIC K180 | 1    |      | Very heavy soiling and basic cleaning, SIC PA 6. 12, Kom 180                  |

**Retainer dirt container (97147946)**



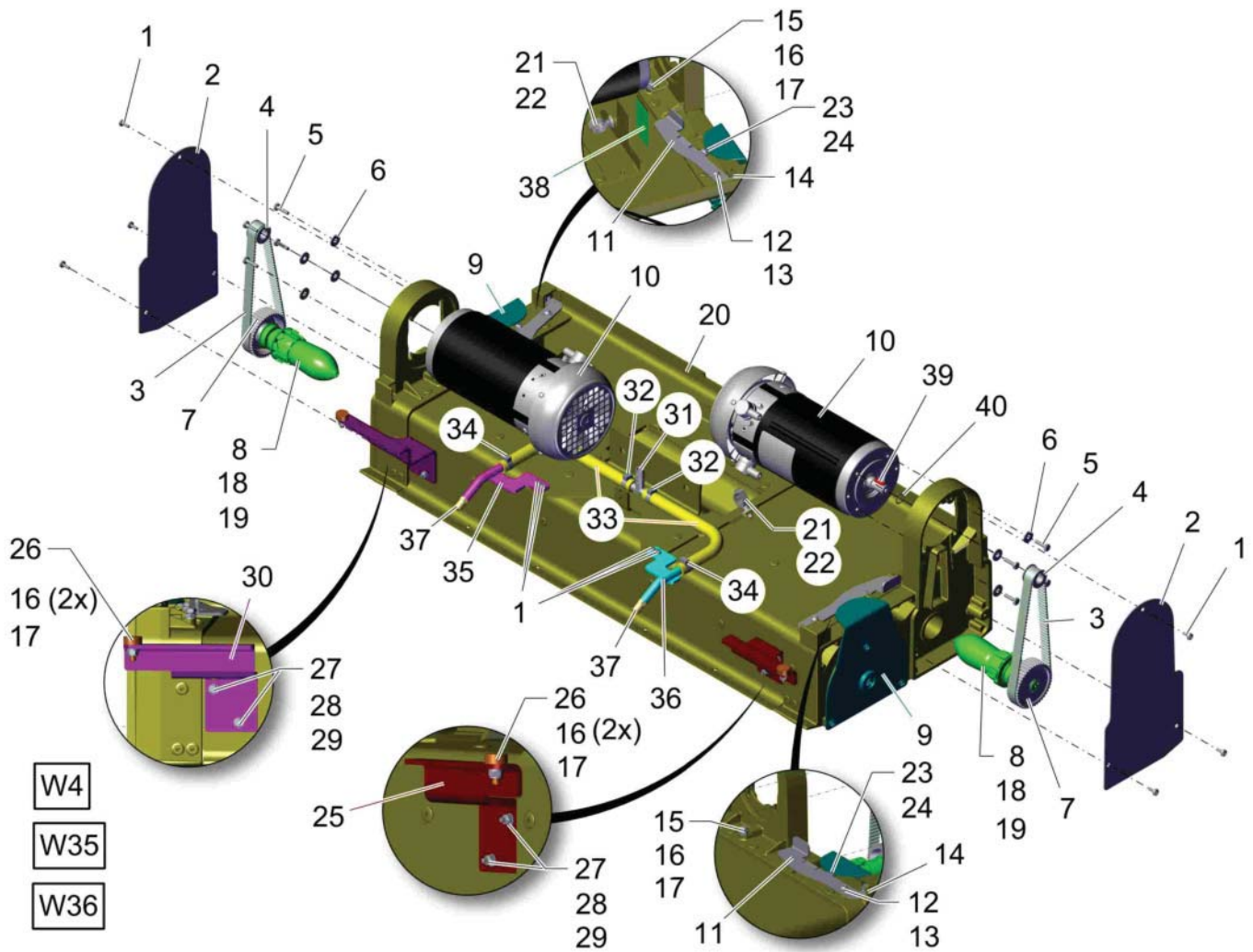
| Item | Part number | Description          | Qty. | Unit | Remarks |
|------|-------------|----------------------|------|------|---------|
| 1    | 01372970    | guide bar            | 1    |      |         |
| 2    | 01373200    | dirt container guide | 1    |      |         |
| 3    | 00076540    | Round head screw     | 2    |      |         |
| 4    | 00053730    | Washer               | 2    |      |         |
| 5    | 00051520    | Hex. Nut             | 2    |      |         |

**Dirt container (01273190)**



| Item | Part number | Description          | Qty. | Unit | Remarks |
|------|-------------|----------------------|------|------|---------|
| 1    | 00970190    | Hex. Nut             | 13   |      |         |
| 2    | 00874720    | Washer               | 24   |      |         |
| 3    | 01072230    | Fillister-head screw | 8    |      |         |
| 4    | 01072220    | Lock                 | 2    |      |         |
| 6    | 01076250    | Plate                | 2    |      |         |
| 7    | 01072270    | Hex. Nut             | 8    |      |         |
| 8    | 01072260    | Fillister-head screw | 13   |      |         |
| 9    | 01272960    | Sheet metal apron    | 1    |      |         |
| 10   | 01272950    | Broom rail           | 1    |      |         |

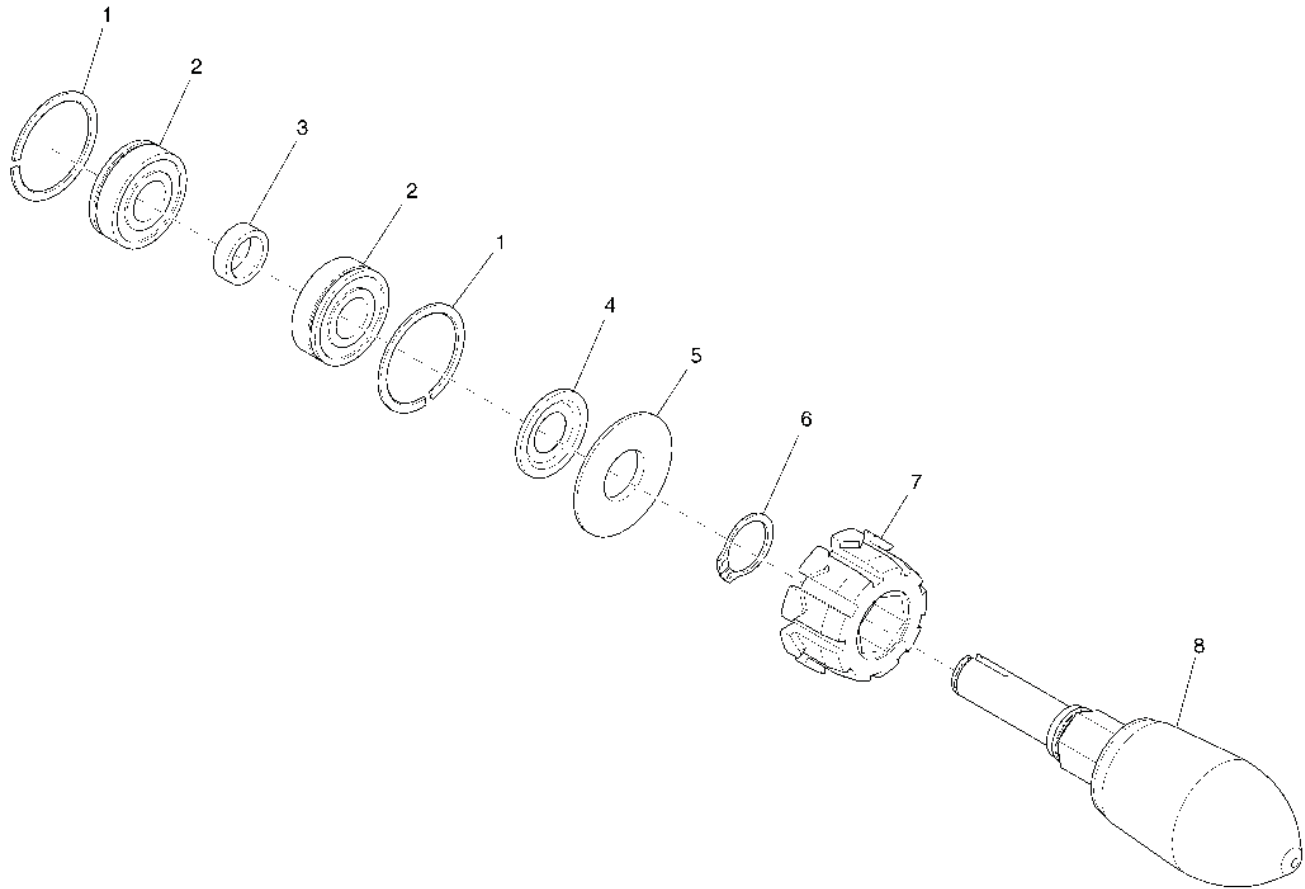
Cylindrical brush head (97141709)





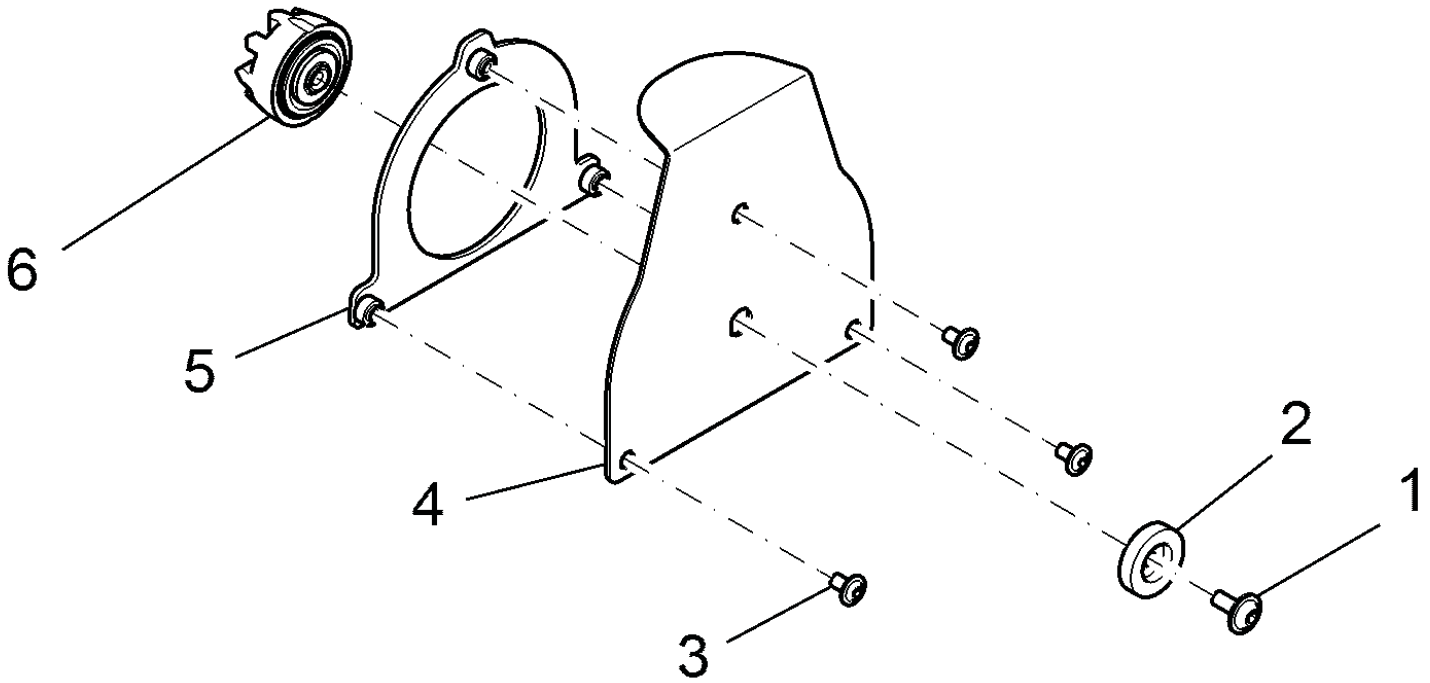
| Item | Part number | Description            | Qty.  | Unit | Remarks |
|------|-------------|------------------------|-------|------|---------|
| 1    | 00959220    | Screw                  | 10    |      |         |
| 2    | 01272860    | Sheet metal            | 2     |      |         |
| 3    | 01072540    | Toothed belt           | 2     |      |         |
| 4    | 01072460    | Toothed belt pulley    | 2     |      |         |
| 5    | 00053020    | Hexagon screw          | 8     |      |         |
| 6    | 00135120    | Washer                 | 8     |      |         |
| 7    | 01072570    | Toothed belt pulley    | 2     |      |         |
| 8    | 01072560    | Carrier, cpl.          | 1     |      |         |
| 9    | 01072550    | Side cover, cpl.       | 1     |      |         |
| 10   | 01372220    | motor                  | 2     |      |         |
| 11   | 01272890    | Lever                  | 2     |      |         |
| 12   | 01072520    | Lens flange screw      | 2     |      |         |
| 13   | 01073360    | Bushing                | 2     |      |         |
| 14   | 00550870    | Cyl.compression spring | 2     |      |         |
| 15   | 00053010    | Hex.bolt               | 2     |      |         |
| 16   | 00053730    | Washer                 | 10    |      |         |
| 17   | 00135790    | Hex. Nut               | 4     |      |         |
| 18   | 01072580    | Feather key            | 2     |      |         |
| 19   | 00022340    | Retaining ring         | 2     |      |         |
| 20   | 03022950    | roll brush head 850    | 1     |      |         |
| 21   | 01370250    | retainer               | 2     |      |         |
| 22   | 01370240    | mounting feet          | 2     |      |         |
| 23   | 00552300    | Fillister-head screw   | 2     |      |         |
| 24   | 00902250    | Hex. Nut               | 2     |      |         |
| 25   | 01373700    | driver L.H.            | 1     |      |         |
| 26   | 00127470    | Buffer                 | 2     |      |         |
| 27   | 01081260    | Socket head screw      | 4     |      |         |
| 28   | 00902270    | Washer                 | 4     |      |         |
| 29   | 01017660    | Hex. Nut               | 4     |      |         |
| 30   | 01372750    | driver R.H.            | 1     |      |         |
| 31   | 00976160    | T-piece                | 1     |      |         |
| 32   | 01376430    | hose clamp             | 2     |      |         |
| 33   | 00112010    | Hose                   | 0,490 |      |         |
| 34   | 01015350    | Hose clamp             | 2     |      |         |
| 35   | 01273130    | Pipe R.H.              | 1     |      |         |
| 36   | 01273120    | Pipe L.H.              | 1     |      |         |
| 37   | 01072640    | Jet                    | 2     |      |         |
| 38   | 01371930    | decal ABRASION         | 1     |      |         |
| 39   | 00022430    | Feather key            | 2     |      |         |
| 40   | 00022440    | Retaining ring         | 2     |      |         |
| W4   | 03020380    | wiring harness W4      | 1     |      |         |
| W35  | 03020480    | wiring harness W35     | 1     |      |         |
| W36  | 03020540    | wiring harness W36     | 1     |      |         |

**Carrier, cpl. (01072560)**



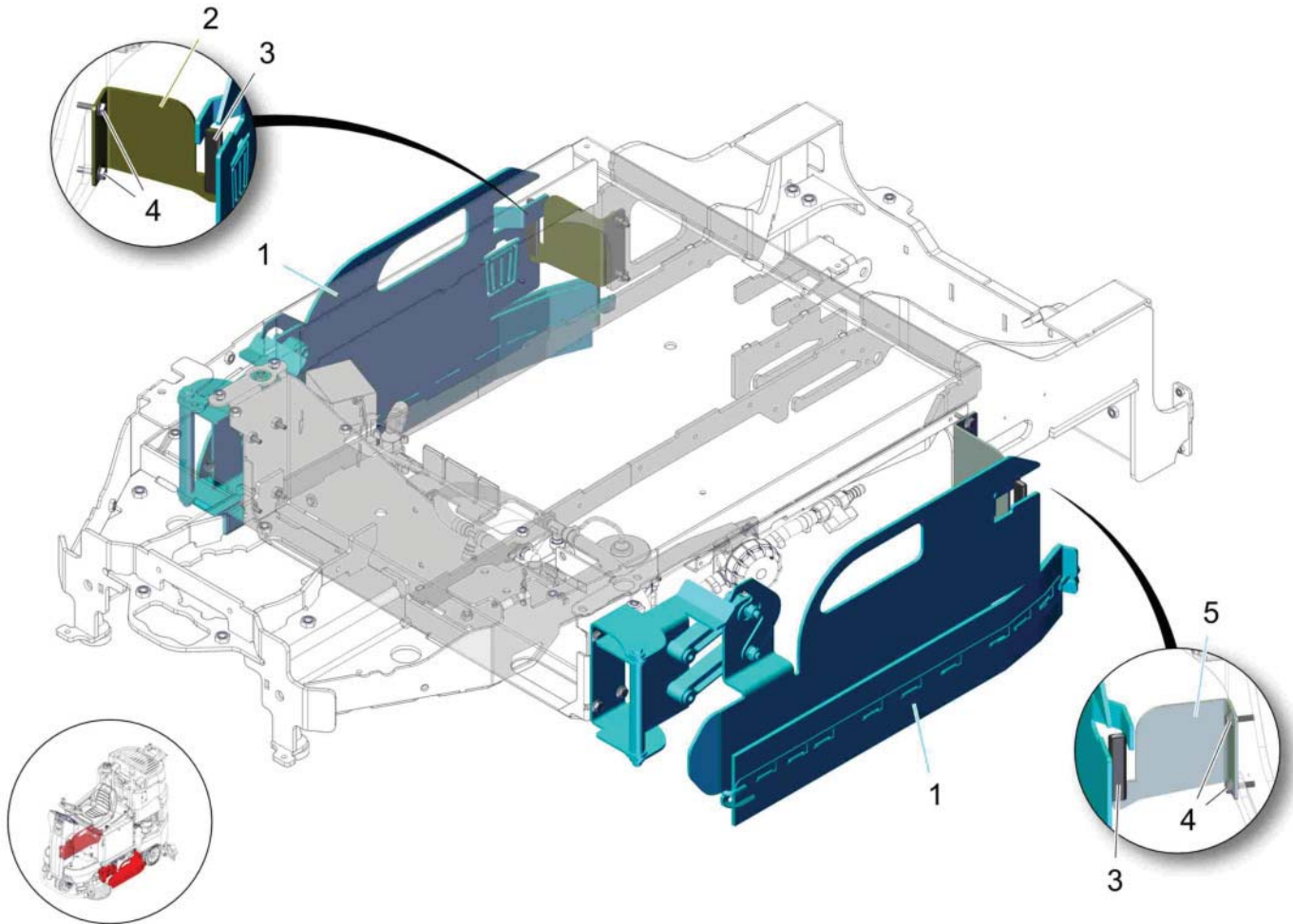
| Item | Part number | Description          | Qty. | Unit | Remarks |
|------|-------------|----------------------|------|------|---------|
| 1    | 01078820    | Circlip              | 2    |      |         |
| 2    | 01076560    | Grooved ball bearing | 2    |      |         |
| 3    | 01077520    | Bushing              | 1    |      |         |
| 4    | 00124220    | Ring                 | 1    |      |         |
| 5    | 01077550    | Bushing              | 1    |      |         |
| 6    | 00054310    | Retaining ring       | 1    |      |         |
| 7    | 01077540    | Bushing              | 1    |      |         |
| 8    | 01077530    | Retainer             | 1    |      |         |

Side cover, cpl. (01072550)



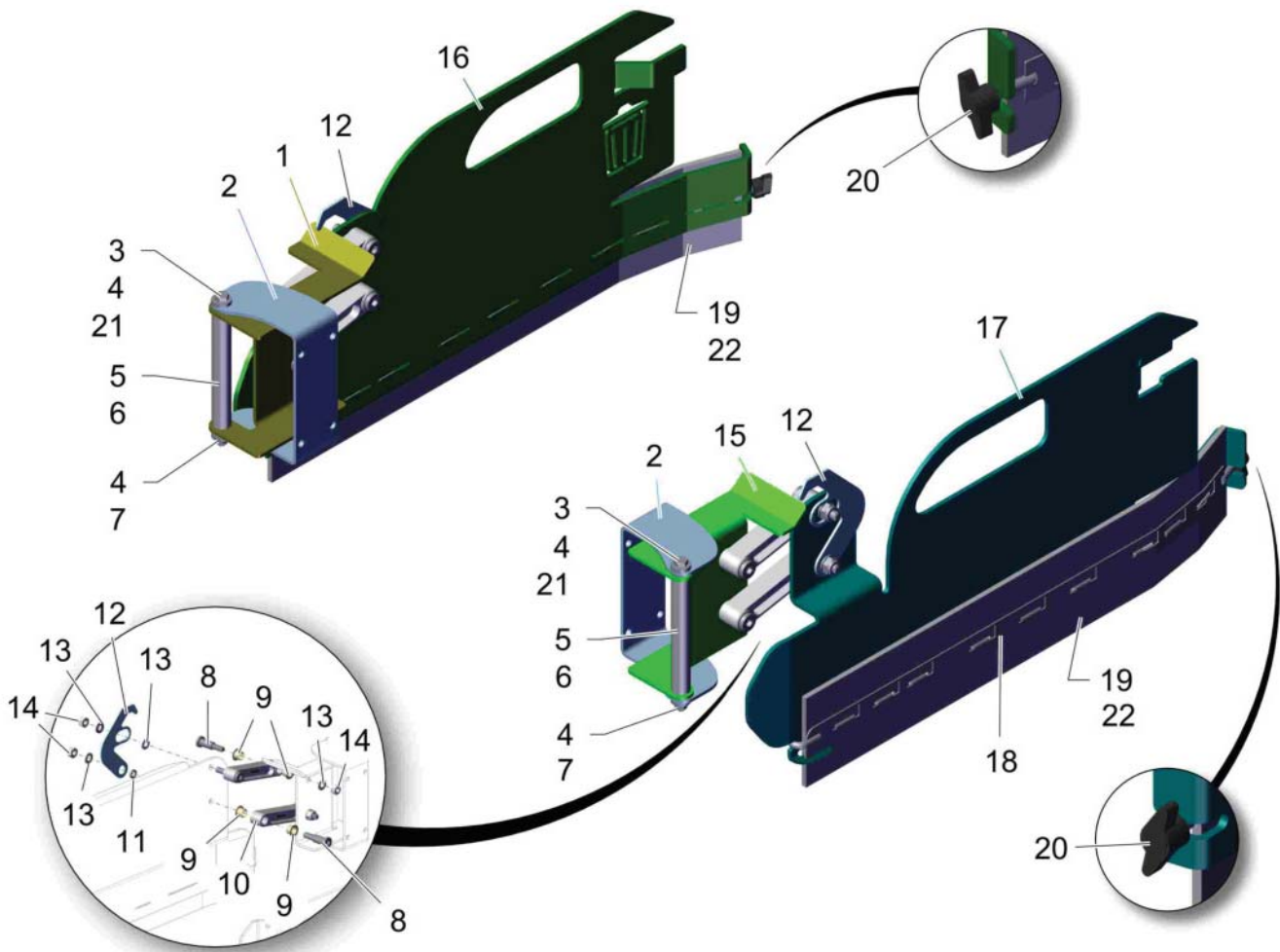
| Item | Part number | Description       | Qty. | Unit | Remarks |
|------|-------------|-------------------|------|------|---------|
| 1    | 01074320    | Lens flange screw | 1    |      |         |
| 2    | 01074330    | Washer            | 1    |      |         |
| 3    | 01072520    | Lens flange screw | 3    |      |         |
| 4    | 01078760    | Side cover        | 1    |      |         |
| 5    | 01078770    | Centering bend    | 1    |      |         |
| 6    | 01074340    | Counter bearing   | 1    |      |         |

Side wiper cylindrical brush head 850 (97144158)



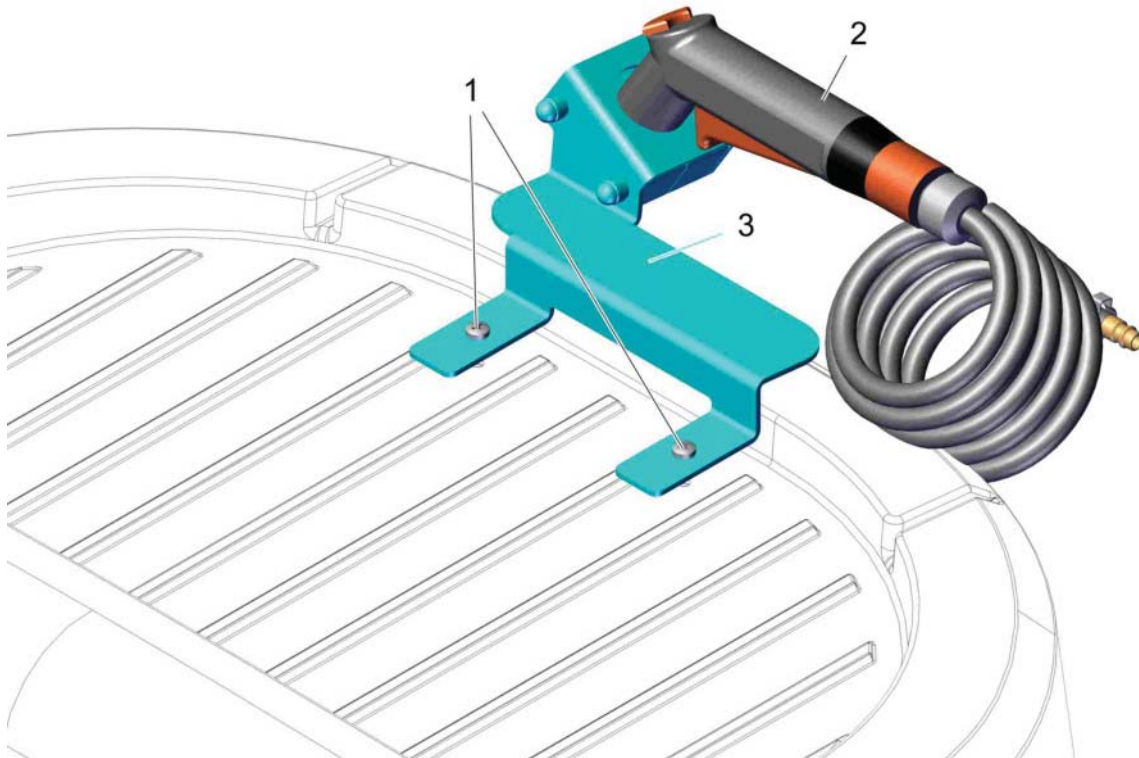
| Item | Part number       | Description              | Qty.  | Unit | Remarks |
|------|-------------------|--------------------------|-------|------|---------|
| 1    | 97144695-97144596 | Side wiper R.H. + L.H.   | 1     |      |         |
| 2    | 01373380          | side skimmer guide right | 1     |      |         |
| 3    | 01132510          | Hose                     | 0,080 |      |         |
| 4    | 00959230          | Hex.bolt                 | 12    |      |         |
| 5    | 01373140          | side squeegee guide L.H. | 1     |      |         |

Side wiper R.H. and L.H. (97144695-97144596)



| Item | Part number | Description                         | Qty.  | Unit | Remarks                       |
|------|-------------|-------------------------------------|-------|------|-------------------------------|
| 1    | 01373250    | swinging arm right                  | 1     |      |                               |
| 2    | 01372910    | steady arm                          | 1     |      |                               |
| 3    | 01375040    | hexagon screw                       | 2     |      |                               |
| 4    | 00695300    | Washer                              | 4     |      |                               |
| 5    | 01373400    | tube                                | 2     |      |                               |
| 6    | 00460890    | Hose                                | 0,140 |      |                               |
| 7    | 00051510    | Hex. Nut                            | 2     |      |                               |
| 8    | 01374100    | fitting screw                       | 8     |      |                               |
| 9    | 01073860    | Slide bearing bush                  | 16    |      |                               |
| 10   | 01073870    | Lever                               | 4     |      |                               |
| 11   | 01074210    | Bushing                             | 2     |      |                               |
| 12   | 01373670    | hook                                | 2     |      |                               |
| 13   | 00053760    | Washer                              | 8     |      |                               |
| 14   | 00051500    | Hex. Nut                            | 8     |      |                               |
| 15   | 01372840    | swivel arm L.H.                     | 1     |      |                               |
| 16   | 01373370    | squeegee R.H. (circular brush head) | 1     |      |                               |
| 17   | 01373330    | squeegee L.H. (circular brush head) | 1     |      |                               |
| 18   | ---         | Spare part on request               | 2     |      | 96157813 clamping sheet metal |
| 19   | 01073890    | squeegee strip                      | 2     |      | Standard version              |
| 20   | 01111970    | Wing nut                            | 2     |      |                               |
| 21   | 01130080    | Slide bearing bush                  | 4     |      |                               |
| 22   | 01077050    | Squeegee strip                      | 2     |      | highly wear resistant         |

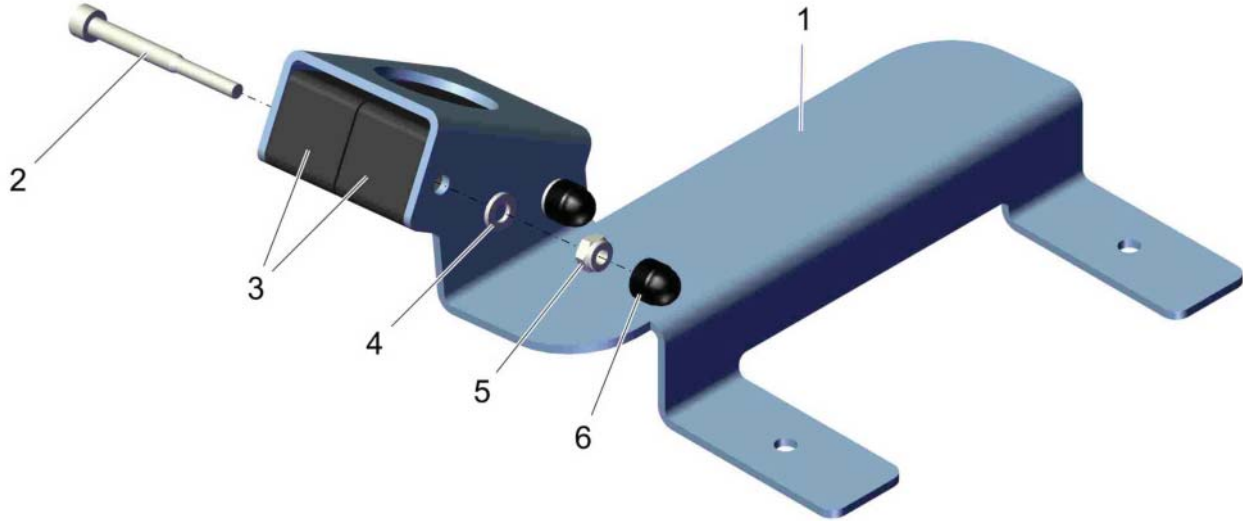
**Spraying nozzle (97142384)**



| Item | Part number | Description              | Qty. | Unit | Remarks |
|------|-------------|--------------------------|------|------|---------|
| 1    | 00873910    | Truss head screw         | 2    |      |         |
| 2    | 01372240    | spray pistol with hose   | 1    |      |         |
| 3    | 97147334    | Retainer spraying nozzle | 1    |      |         |

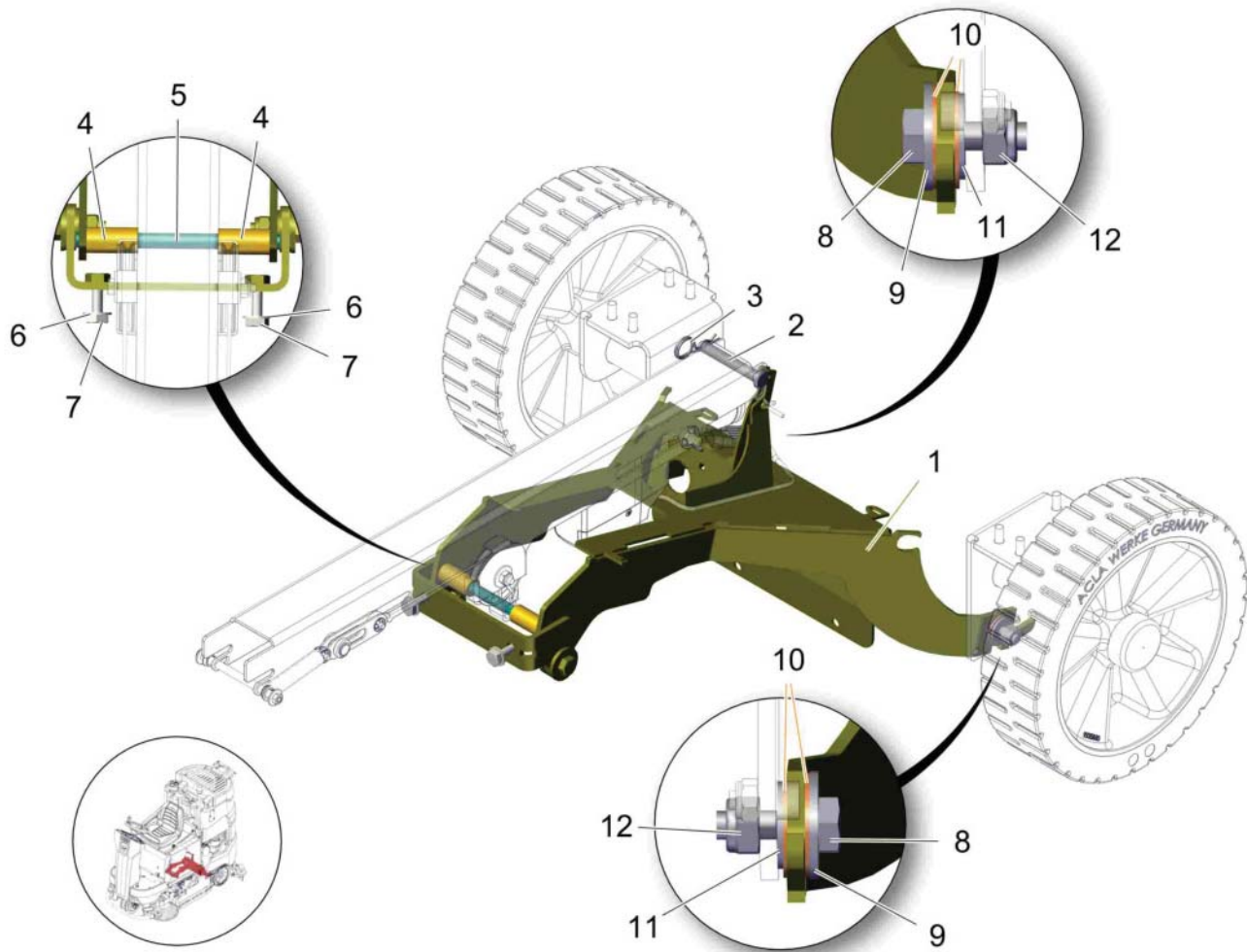


Retainer spraying nozzle (97147334)



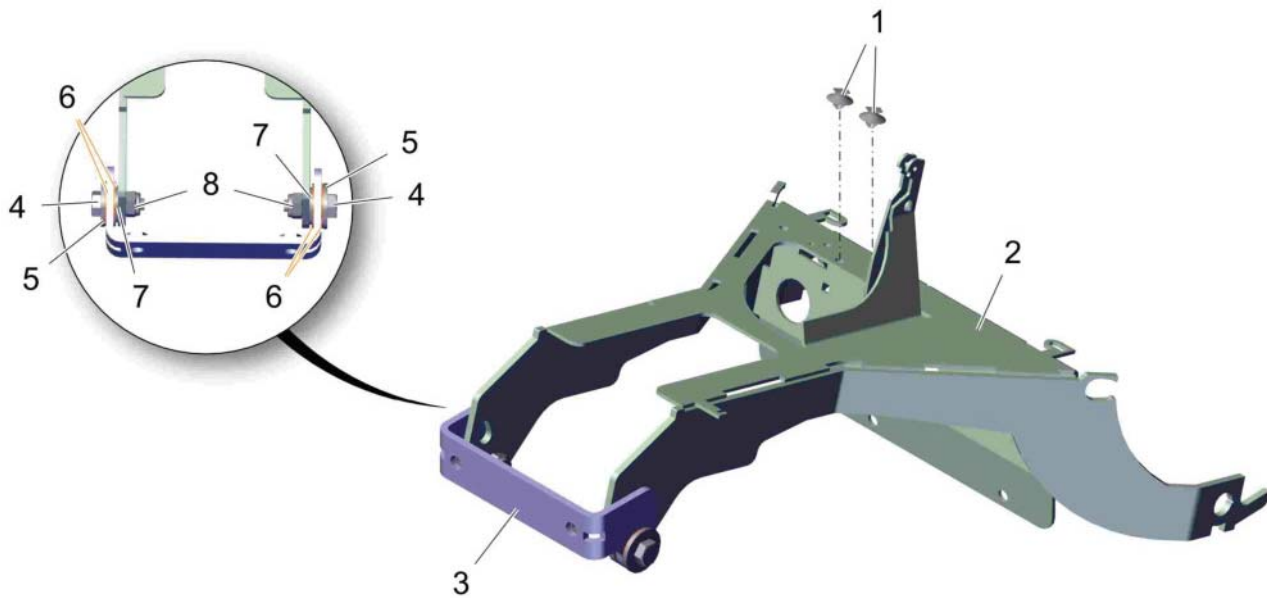
| Item | Part number | Description       | Qty. | Unit | Remarks |
|------|-------------|-------------------|------|------|---------|
| 1    | 01373710    | retainer          | 1    |      |         |
| 2    | 01271540    | Socket head screw | 2    |      |         |
| 3    | 01477410    | pair of clamping  | 1    |      |         |
| 4    | 00053730    | Washer            | 2    |      |         |
| 5    | 00051520    | Hex. Nut          | 2    |      |         |
| 6    | 00525910    | Lens cap          | 2    |      |         |

Lifting brush aggregates (97141675)



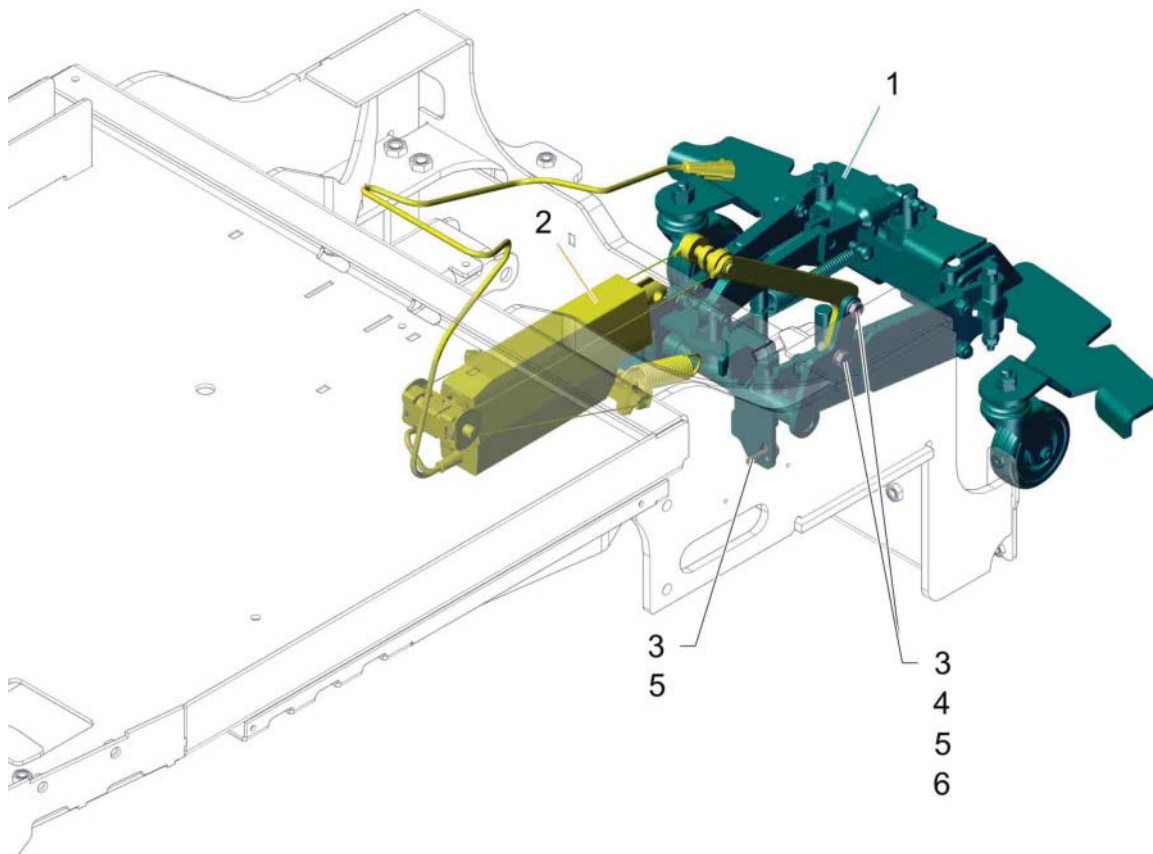
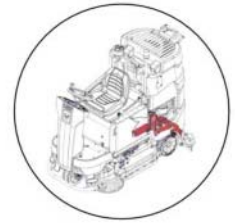
| Item | Part number | Description         | Qty.  | Unit | Remarks |
|------|-------------|---------------------|-------|------|---------|
| 1    | 97135271    | Rocker              | 1     |      |         |
| 2    | 00879630    | Bolt                | 1     |      |         |
| 3    | 00744820    | Cotter pin          | 1     |      |         |
| 4    | 00200170    | PVC hose            | 0,080 |      |         |
| 5    | 01372890    | bolt                | 1     |      |         |
| 6    | 00740290    | Detent edged washer | 2     |      |         |
| 7    | 00053310    | Hexagon screw       | 2     |      |         |
| 8    | 00155830    | Hexagon screw       | 2     |      |         |
| 9    | 00132610    | Washer              | 2     |      |         |
| 10   | 01133780    | Starting disk       | 4     |      |         |
| 11   | 01373550    | bushing             | 2     |      |         |
| 12   | 00051490    | Hex. Nut            | 2     |      |         |

Rocker (97135271)



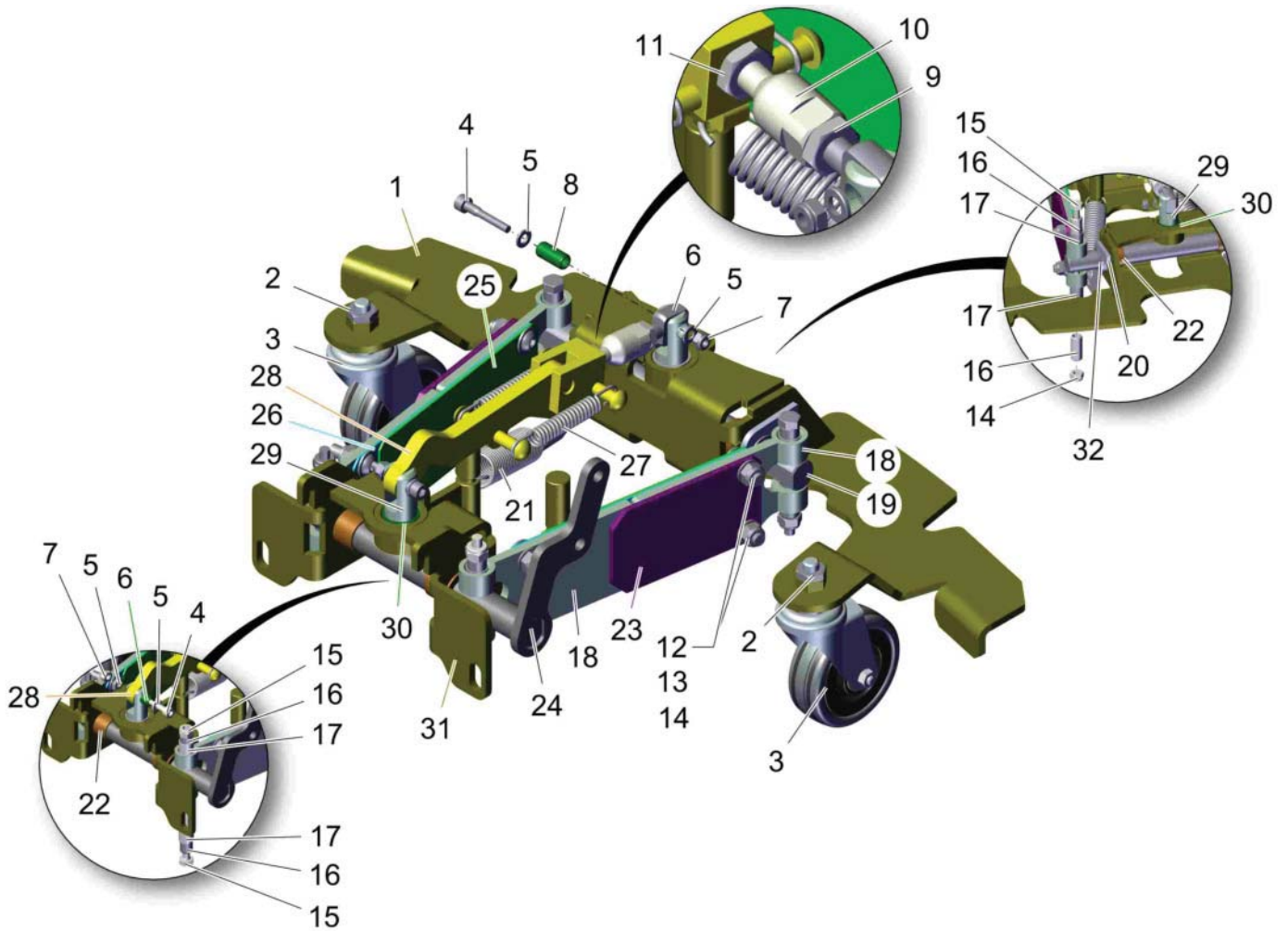
| Item | Part number | Description      | Qty. | Unit | Remarks |
|------|-------------|------------------|------|------|---------|
| 1    | 01278080    | Mounting clip    | 2    |      |         |
| 2    | 01373920    | rocker           | 1    |      |         |
| 3    | 01373840    | brush head guide | 1    |      |         |
| 4    | 00155830    | Hexagon screw    | 2    |      |         |
| 5    | 00132610    | Washer           | 2    |      |         |
| 6    | 01133780    | Starting disk    | 4    |      |         |
| 7    | 01373550    | bushing          | 2    |      |         |
| 8    | 00051490    | Hex. Nut         | 2    |      |         |

Squeegee linkage group (97139935)



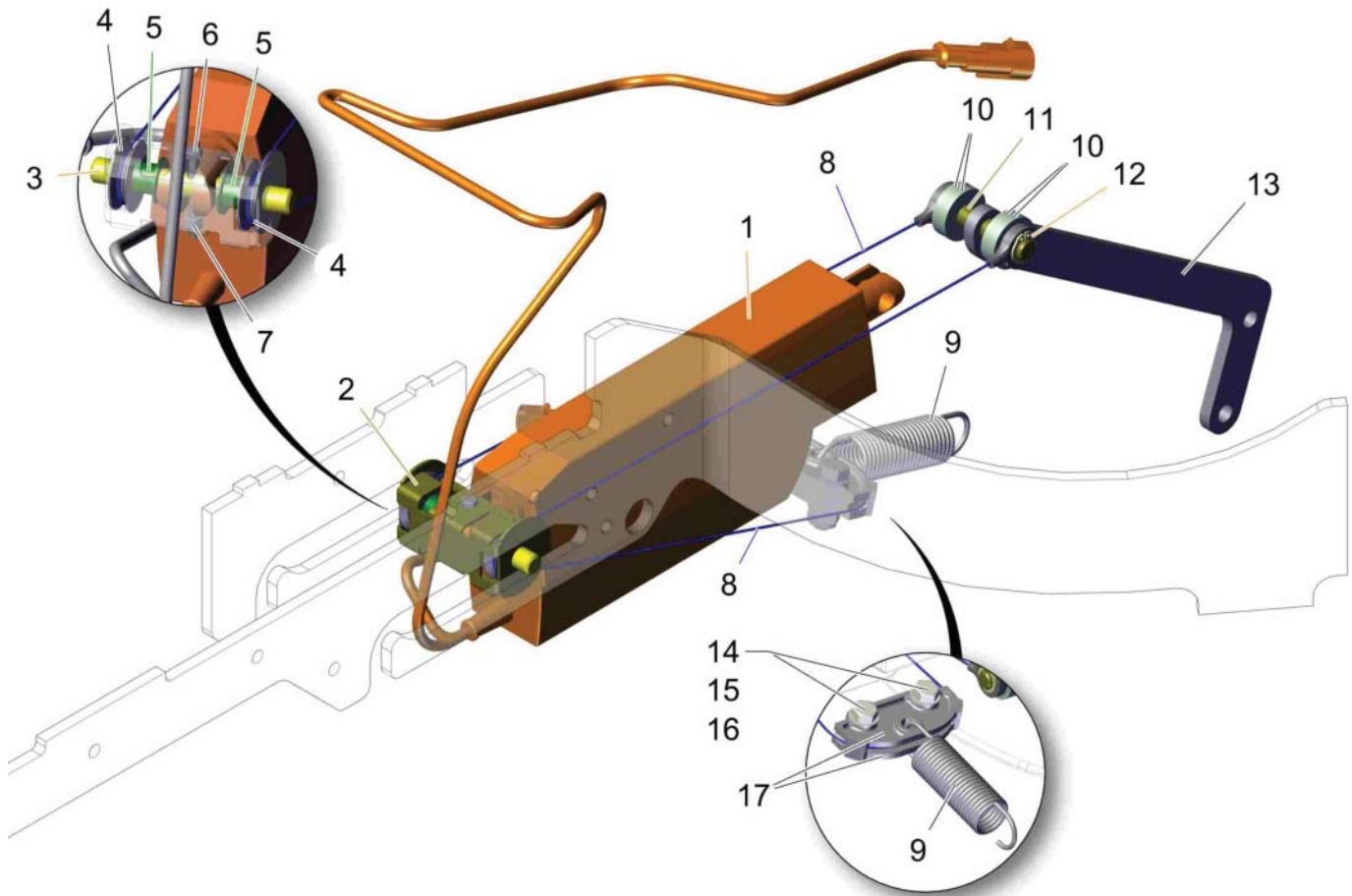
| Item | Part number | Description            | Qty. | Unit | Remarks |
|------|-------------|------------------------|------|------|---------|
| 1    | 03021740    | Squeegee linkage group | 1    |      |         |
| 2    | 97142525    | Lifting element        | 1    |      |         |
| 3    | 00053100    | Hexagon screw          | 4    |      |         |
| 4    | 00053750    | Washer                 | 2    |      |         |
| 5    | 00740090    | Detent edged washer    | 4    |      |         |
| 6    | 00051510    | Hex. Nut               | 2    |      |         |

Squeegee linkage group (03021740)



| Item | Part number | Description         | Qty. | Unit | Remarks |
|------|-------------|---------------------|------|------|---------|
| 1    | 01372500    | base plate          | 1    |      |         |
| 2    | 00074710    | Hex. Nut            | 2    |      |         |
| 3    | 01371420    | steering roller     | 2    |      |         |
| 4    | 01278920    | Socket head screw   | 2    |      |         |
| 5    | 00102150    | Washer              | 4    |      |         |
| 6    | 01373090    | joint               | 1    |      |         |
| 7    | 00102140    | Hex. Nut            | 2    |      |         |
| 8    | 01373280    | bushing             | 2    |      |         |
| 9    | 01375180    | hexagon nut         | 1    |      |         |
| 10   | 01373080    | adjustment bushing  | 1    |      |         |
| 11   | 01380340    | hexagon nut         | 1    |      |         |
| 12   | 01164420    | Lens flange screw   | 8    |      |         |
| 13   | 01226400    | Detent edged washer | 8    |      |         |
| 14   | 00101540    | Hex. Nut            | 12   |      |         |
| 15   | 01371360    | hexagon screw       | 4    |      |         |
| 16   | 01373460    | spacer sleeve       | 8    |      |         |
| 17   | 00077900    | DU-Drying socket    | 8    |      |         |
| 18   | 01373730    | adapter             | 4    |      |         |
| 19   | 01372720    | shaft               | 1    |      |         |
| 20   | 01372860    | indicator           | 2    |      |         |
| 21   | 01077710    | Tension spring      | 2    |      |         |
| 22   | 01377290    | slide bearing bush  | 4    |      |         |
| 23   | 01373240    | guide               | 2    |      |         |
| 24   | 01373800    | shaft               | 1    |      |         |
| 25   | 01371600    | leaf spring         | 2    |      |         |
| 26   | 01371520    | leaf spring         | 2    |      |         |
| 27   | 01371560    | tension spring      | 2    |      |         |
| 28   | 01371620    | fork head           | 1    |      |         |
| 29   | 01371570    | fork head           | 2    |      |         |
| 30   | 00734550    | DU-Drying socket    | 2    |      |         |
| 31   | 01373780    | stop                | 1    |      |         |
| 32   | 01370230    | circlip             | 2    |      |         |

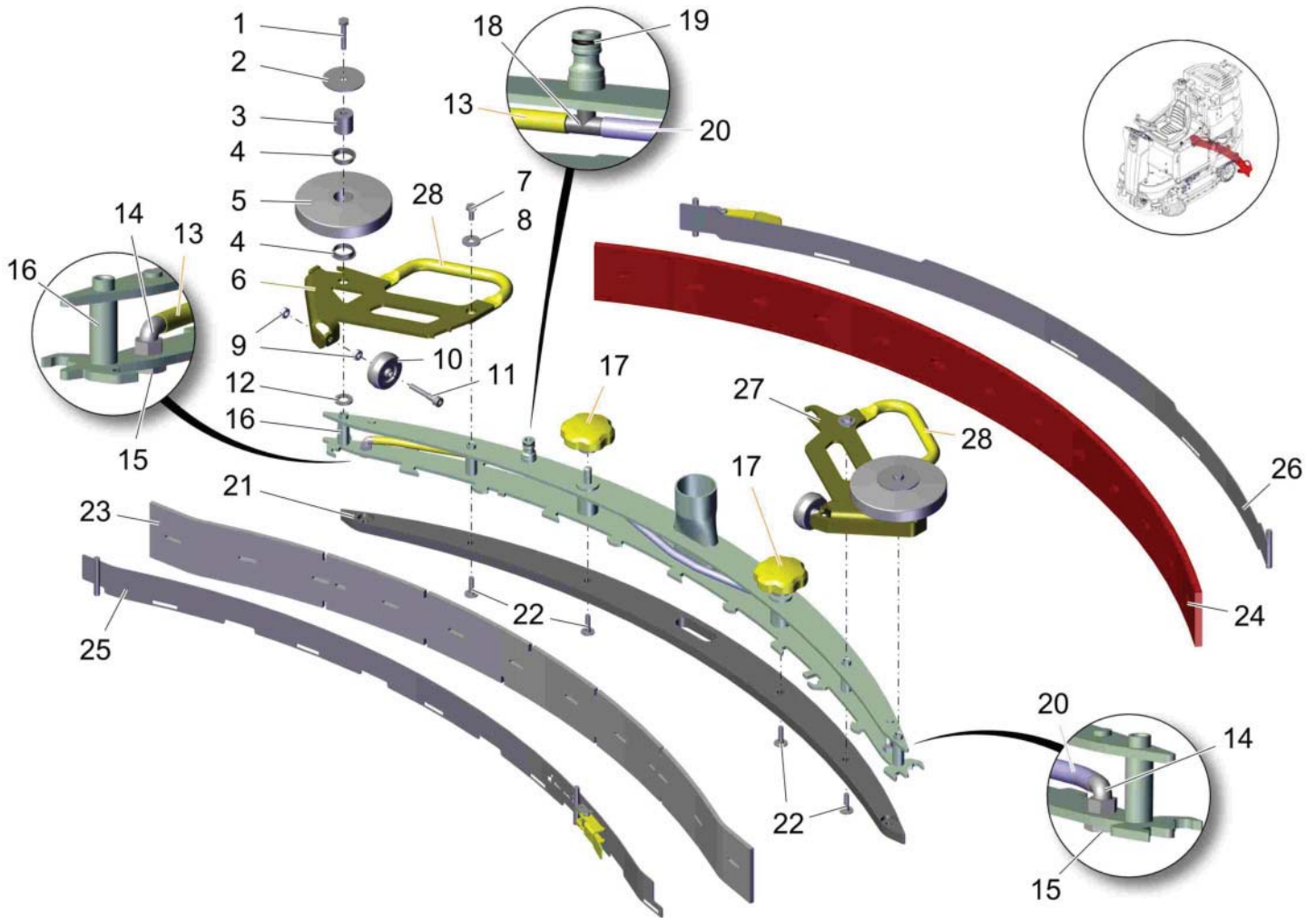
Lifting element (97142525)





| Item | Part number | Description        | Qty. | Unit | Remarks |
|------|-------------|--------------------|------|------|---------|
| 1    | 01375050    | lifting element    | 1    |      |         |
| 2    | 01373500    | rope guide         | 1    |      |         |
| 3    | 01373490    | pin                | 1    |      |         |
| 4    | 01373580    | roller guide       | 2    |      |         |
| 5    | 01078360    | Slide bearing bush | 2    |      |         |
| 6    | 01079890    | Hexagon screw      | 1    |      |         |
| 7    | 01017660    | Hex. Nut           | 1    |      |         |
| 8    | 01371430    | rope               | 1    |      |         |
| 9    | 01373590    | tension spring     | 1    |      |         |
| 10   | 00855380    | Washer             | 4    |      |         |
| 11   | 01373520    | pin                | 1    |      |         |
| 12   | 00103230    | Retaining ring     | 2    |      |         |
| 13   | 01373510    | lever              | 1    |      |         |
| 14   | 00053100    | Hexagon screw      | 2    |      |         |
| 15   | 00053750    | Washer             | 4    |      |         |
| 16   | 00051510    | Hex. Nut           | 2    |      |         |
| 17   | 01371070    | cable guide        | 2    |      |         |

Suction unit 1100mm, cpl. (01378910)



| Item | Part number | Description                       | Qty.  | Unit | Remarks |
|------|-------------|-----------------------------------|-------|------|---------|
| 1    | 00059460    | Hex.bolt                          | 2     |      |         |
| 2    | 01178290    | Conical spring washer             | 2     |      |         |
| 3    | 01373050    | pipe                              | 2     |      |         |
| 4    | 01376740    | slide bearing bush                | 4     |      |         |
| 5    | 01371490    | deflector                         | 2     |      |         |
| 6    | 01373130    | deflector bow 1100mm R.H.         | 1     |      |         |
| 7    | 01071740    | Hex.bolt                          | 2     |      |         |
| 8    | 00902280    | Washer                            | 2     |      |         |
| 9    | 00971400    | Hex. Nut                          | 4     |      |         |
| 10   | 01371530    | steering roller                   | 2     |      |         |
| 11   | 01019860    | Socket head screw                 | 2     |      |         |
| 12   | 01228240    | Washer                            | 2     |      |         |
| 13   | 00711670    | Hose                              | 0,210 |      |         |
| 14   | 01090220    | Angle screwing                    | 2     |      |         |
| 15   | 01375180    | hexagon nut                       | 2     |      |         |
| 16   | 01373850    | suction unit 1100mm               | 1     |      |         |
| 17   | 01371630    | star handle yellow                | 2     |      |         |
| 18   | 01371690    | T-screwing in connecting piece    | 1     |      |         |
| 19   | 01185240    | O-ring                            | 1     |      |         |
| 20   | 00711670    | Hose                              | 0,760 |      |         |
| 21   | 01371790    | enclosure 1100                    | 1     |      |         |
| 22   | 01164420    | Lens flange screw                 | 4     |      |         |
| 23   | 01371780    | slot strip                        | 1     |      |         |
| 23   | 01372110    | slot strip, highly wear-resistant | 1     |      |         |
| 24   | 01372330    | sealing strip                     | 1     |      |         |
| 25   | 01371950    | tension band front                | 1     |      |         |
| 26   | 01371830    | tension band rear                 | 1     |      |         |
| 27   | 01372850    | deflector bow 1100mm L.H.         | 1     |      |         |
| 28   | 01371540    | handle                            | 2     |      |         |

*PowerBoss*<sup>®</sup>  
*The Power of Clean*

*'The Power of Clean''*

**PowerBoss<sup>®</sup> is a Full Line Manufacturer of Sweepers and Scrubbers,  
for Industrial Facilities.**

PowerBoss<sup>®</sup>, Minuteman International, Inc. 14N845 U.S. Route 20 Pingree Grove, Illinois 60140  
Phone: 800-323-9420 [www.PowerBoss.com](http://www.PowerBoss.com) Email: [tech@powerboss.com](mailto:tech@powerboss.com)  
**A Member of the Hako Group**

SM3346C Rider Scrubber #988785 Rev A 07/21  
PowerBoss<sup>®</sup> Copyright 2021